

SPECIAL APPLICATIONS (monolithic integrated circuit)

Type Number	Page	Case			Circuit Drawing No.	Circuit Functions & Applications	Main Specifications
		Package	Pins	Package No.			
L B 1 4 7 5	193	DIP	20	3021B	3058	2-Wired Remote Control (13-Dot LED Indicator)	13-output remote control available, one-shot circuit for SW chattering rejection, first-pushed SW preferred circuit
L B 8 0 1 5	197	DIP	8	3001A	3073	Schmitt Circuit for Intermittent Wiper, Timer	High drive current 200mA, operating voltage 8 to 16V, high input impedance approx. 1Mohm
L B 8 0 5 0	198	DIP	8	3001A	3072	Intermittent Wiper Controller	High drive current 200mA, operating voltage 8 to 16V, high input impedance approx. 1Mohm, multifunction
L B 8 5 5 5 D	198	DIP	8	3001A	3074	General-Purpose Timer	Output current ±200mA, directly interchangeable with NE555
L B 8 5 5 5 S	198	SEP	8	3016B	3074	General-Purpose Timer	Output current ±200mA, directly interchangeable with NE555
L B 8 5 5 5 M	198	MFP	8	3032B	3074	General-Purpose Timer	Output current ±200mA, directly interchangeable with NE555
L B 8 7 0 0	199	SEP	9	3017B	3075	Energized Time Controller of Thermal Printer	Voltage-dependent type energized time control, timing detector, power-saving strobe pin
L M 3 2 1 6	247	DIP	14	3003A	5001	Frequency Divider for Electronic Organ	Low output impedance, especially suited for electronic organ
L M 8 0 7 1	247	DIP	24	3011A	5004	Equally Tempered Scale Generator	Fundamental 13 tones for 1 octave, 2-phase clock driver
L M 8 3 7 2	249	DIP	16	3006A	5011	Rhythm Pattern Generator	8 rhythms, 6 outputs, temp lamp output
L M 8 4 7 1	251	DIP	28	3012A	5017	Rhythm Pattern Generator	10 rhythms, 3 outputs for automatic accompaniment, oscillator
L M 8 9 7 2	252	DIP	16	3006A	5019	Rhythm Pattern Generator	8 rhythms, 5 outputs, simple triple time: 6 steps, quadruple time: 8 steps

TELEVISION (COLOR, B/W) AND VTR APPLICATIONS (monolithic integrated circuit)

Type Number	Page	Case			Circuit Drawing No.	Circuit Functions & Applications	Recommended Vcc [V]	Icc [mA]	Main Specifications
		Package	Pins	Package No.					
L A 1 3 5 7 N	117	DIP	22	3010A	2024	TV Video IF System	12	76	SAW filter usable, high gain, high S/N
L A 1 3 6 2	117	SEP	9	3017B	2022	Electronic Volume Controller	11.5	-	SEP version of electronic volume controller section of LA1365
L A 1 3 6 3	117	DIP	14	3003A	2023	TV Sound IF Amp	11.5	24max	Detector output 1V, good AM rejection, output stage direct drivable
L A 1 3 6 5	117	DIP	14	3003A	2025	TV Sound IF Amp	30	24max	Detector output 1V, good AM rejection, output stage direct drivable
L A 1 3 8 5	118	SEP	10	3018A	2026	B/W TV Vertical Deflection Circuit	12	-	Signal processing from vertical oscillation to vertical output in 1 chip, applicable to all types of B/W TV
L A 4 2 6 5	133	SEP	10	3018A	2075	3.5W typ Single-Channel Sound Output Amp	16	-	3.5W/10%, 8Ω, VG = 50dB, Icco = 25mA typ
L A 5 1 1 2	140	SEP	9	3017B	2094	Color TV Power Supply Controller	-	-	Protector, good temp. characteristic of output voltage

Continued on next page.

LB8700

monolithic digital IC

CIRCUIT DRAWING
No.3075

ENERGIZED TIME CONTROLLER



3017B

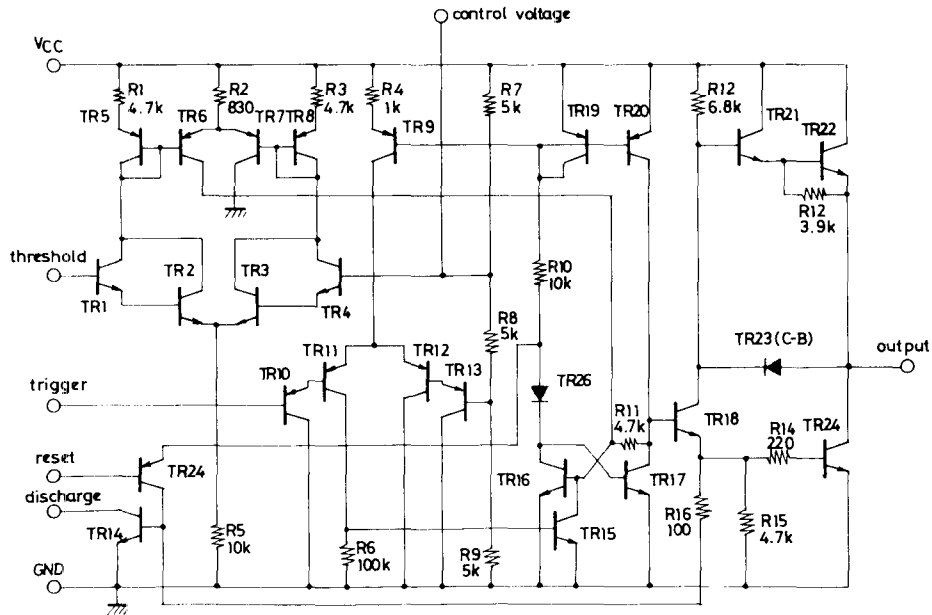
Use

- Energized time controller and timing detect waveform shaper for small-sized thermal printer.

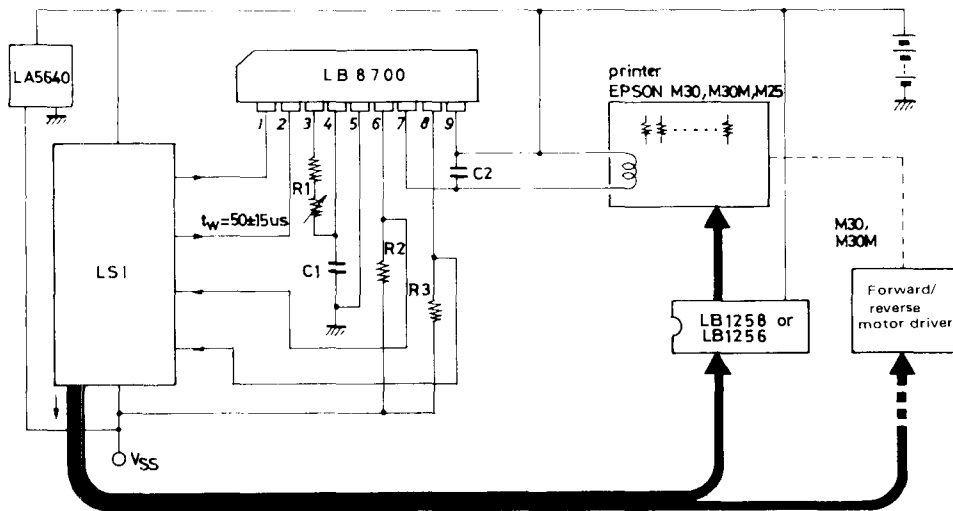
Functions and Features

- Timing detect waveform shaper
- Voltage dependent type energized time controller
- Power saving strobe pin

3074:LB8555D.M.S
EQUIVALENT CIRCUIT



3075:LB8700
APPLICATION CIRCUIT



- R₁ : Differs with ranks of head
- R₂ : 100k
- R₃ : 100k
- C₁ : 0.047 μF
- C₂ : 0.01 μF ~ 0.1 μF