



TELEFUNKEN electronic

Creative Technologien

TV and VTR – PLL

U 6316 B · U 63136 B-FP · U 6358 B · U 6358 B-FP · U 6359 B · U 6359 B-FP · PLL tuning circuits with 1.0 GHz precaler

Supply voltage range	Pin 5, 18	V_S	4.5 ... 5.5	V
Supply current	Pin 5, 18	I_S	65	mA
Input sensitivity	Pin 15	V_i	10	mV
Large signal compatibility	Pin 15	V_i	300	mV
Band switch outputs	Pin 11, 12, 13, 14	V_B	≤ 12	V

Features:

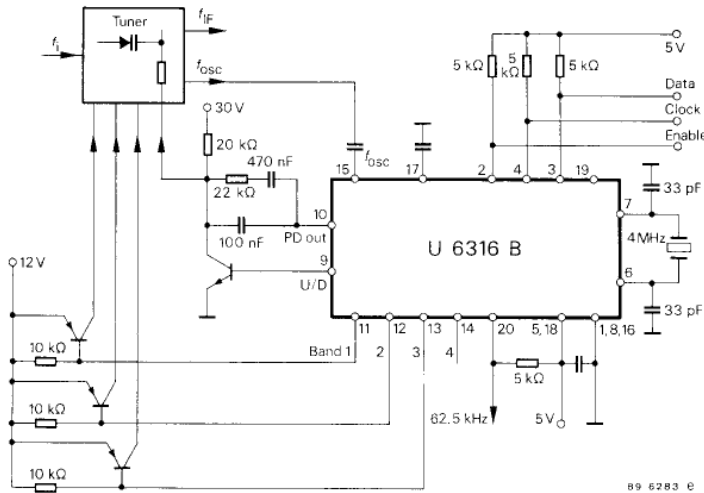
- Max. input frequency 1.0 GHz input
- 4 switching outputs
- Microcomputer controlled via 3 wire bus

Differences:

	U 6316 B	U 6358 B	U 6359 B
Bits of progr. counter	14	15	14
Crystal frequency	4 MHz	3.2 MHz	4 MHz
Tuning steps	62.5 kHz	50 kHz	52.5 kHz
Function pin 20	62.5 kHz output	clock output	

Case:

DIP 20
(U 6316 B, U 6358 B, U 6359 B)
Dimensions see page 106
Number 9
or
SO 20
(U 6316 B-FP, U 6358 B-FP, U 6359 B-FP)
Dimensions see page 109
Number 20



89 6283 e

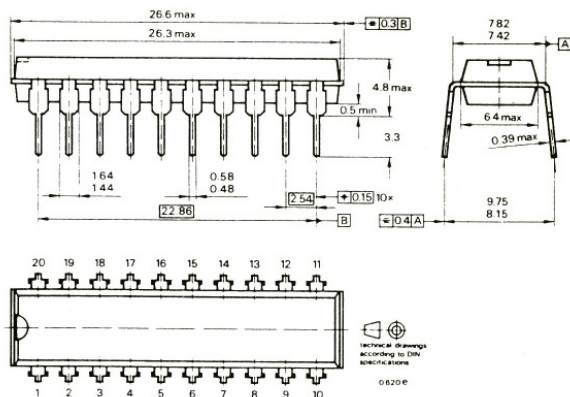


Fig. 9 DIP 20

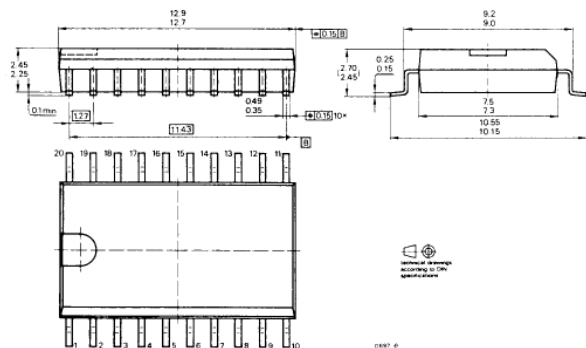


Fig. 20 SO 20