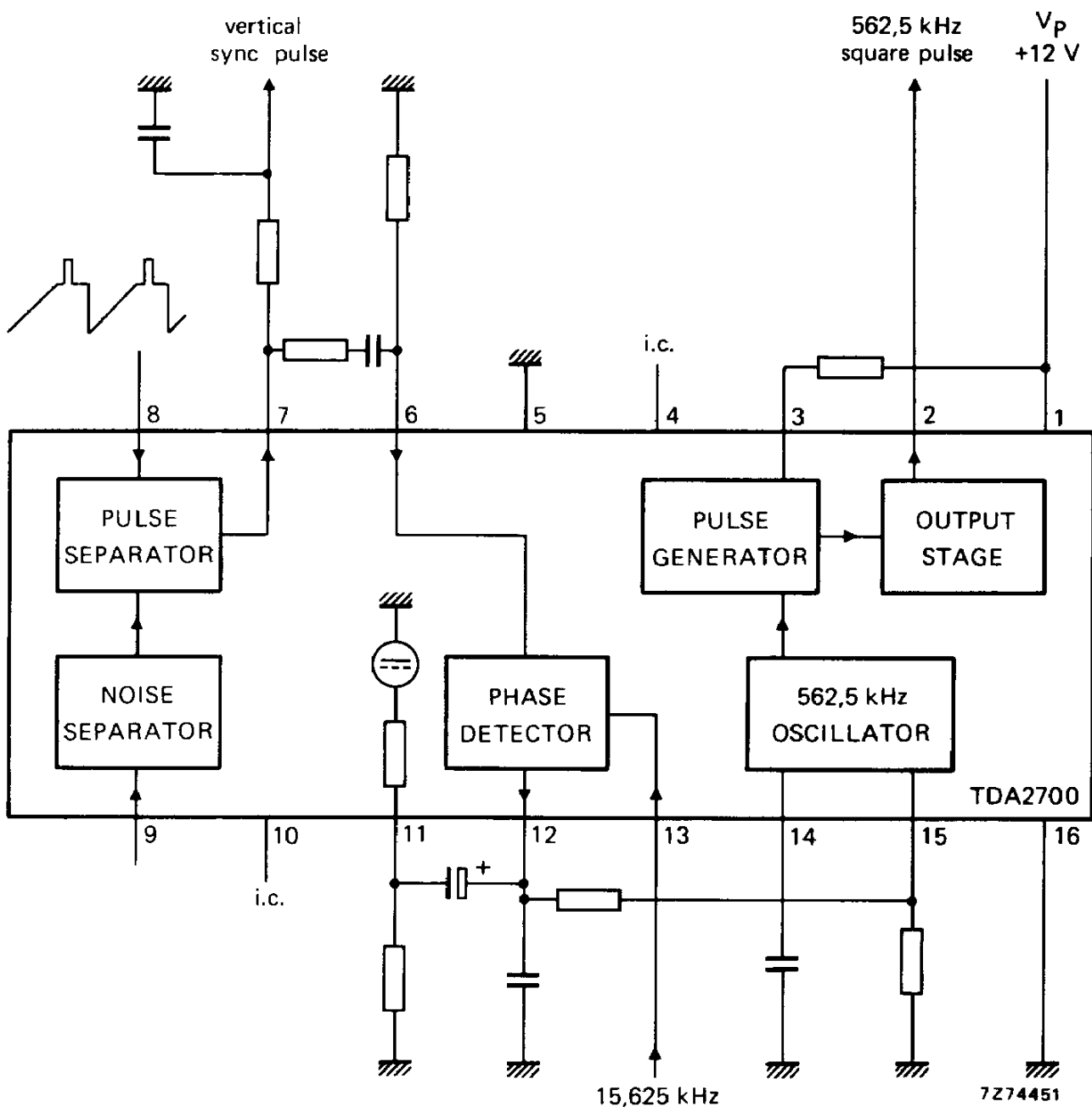


## OSCILLATOR FOR VIDEO RECORDERS

The TDA2700 is a monolithic integrated circuit for video recorders incorporating the following functions :

- 562,5 kHz oscillator
- pulse separator
- noise separator
- phase detector
- pulse generator
- low-ohmic output stage



PACKAGE OUTLINE 16-lead DIL; plastic (SOT-38).

## RATINGS Limiting values in accordance with the Absolute Maximum System (IEC 134)

### Voltages

Supply voltage	$V_{1-16}$	max.	13,2	V
Pin 3	$V_{3-16}$		0 to $V_{1-16}$	V
Pin 8	$-V_{8-16}$	max.	12	V

### Currents

Pin 2 (average value) (peak value)	$-I_{2(AV)}$	max.	20	mA
	$-I_{2M}$	max.	200	mA
Pin 6 (peak value)	$\pm I_{6M}$	max.	10	mA
Pin 7 (peak value)	$-I_{7M}$	max.	10	mA
Pin 8 (peak value)	$I_{8M}$	max.	10	mA
Pin 9 (peak value)	$\pm I_{9M}$	max.	10	mA

### Power dissipation

Total power dissipation	$P_{tot}$	max.	600	mW
-------------------------	-----------	------	-----	----

### Temperatures

Storage temperature	$T_{stg}$	-25 to +125	$^{\circ}C$
Operating ambient temperature	$T_{amb}$	-20 to +60	$^{\circ}C$

## CHARACTERISTICS at $V_{1-16} = 12$ V; $T_{amb} = 25$ $^{\circ}C$ ; measured in circuit on page 4

### Inputs

#### Supply

Supply current at $I_2 = 0$	$I_1$	typ.	36	mA
-----------------------------	-------	------	----	----

#### Sync pulse separator

Negative video input signal (peak-to-peak value)	$V_{8-16(p-p)}$	typ.	3	V
			1 to 7	V
Input current (peak value)	$I_{8M}$	$\geq$	10	$\mu A$
Input leakage current at $V_{8-16} = -3$ V	$-I_8$	$\leq$	1	$\mu A$

#### Noise separator

Input voltage	$V_{9-16}$	typ.	0,7	V
Input current range	$I_9$		0,03 to 10	$\mu A$
Input resistance	$R_{9-16}$	typ.	200	$\Omega$

## CHARACTERISTICS (continued)

## Outputs

Sync pulse separator

Output voltage (peak-to-peak value)	V <sub>7-16(p-p)</sub>	typ.	10 V
Output resistance : at leading edge of sync pulse at trailing edge of sync pulse	R <sub>7-16</sub>	typ.	50 Ω <sup>1)</sup>
	R <sub>7-16</sub>	typ.	2, 2 kΩ
Additional external load resistance	R <sub>7-16(ext)</sub>	≥	2 kΩ

Output stage

Output voltage (peak-to-peak value)	V <sub>2-16(p-p)</sub>	typ.	10 V
Output resistance	R <sub>2-16</sub>	low-ohmic	
Duty factor of output pulse	δ	typ.	50 %

## Phase detector

Input voltage	V <sub>6-16</sub>	typ.	1, 5 V
Input current range	I <sub>6</sub>	0, 03 to 3 mA	
Control voltage range	V <sub>12-16</sub>	1, 3 to 5, 5 V	
Output resistance in the control voltage range	R <sub>12-16</sub>	high-ohmic <sup>2)</sup>	
Control current	±I <sub>12</sub>	typ.	7, 5 mA
Input voltage range for I <sub>12</sub> positive for I <sub>12</sub> negative	V <sub>13-16</sub>	7, 2 to 9 V	
	V <sub>13-16</sub>	0 to 5, 5 V	
Input current at V <sub>13-16</sub> ≥ 7, 2 V at V <sub>13-16</sub> ≤ 5, 5 V	I <sub>13</sub>	<	6 μA
	I <sub>13</sub>	<	1 μA
Catching and holding range (based on 15, 625 kHz)	Δf	typ.	±1 kHz <sup>3)</sup>
D.C. level at pin 11	V <sub>11-16</sub>	typ.	3, 1 V
Internal resistance at pin 11	R <sub>11-16</sub>	typ.	2 kΩ

## Oscillator

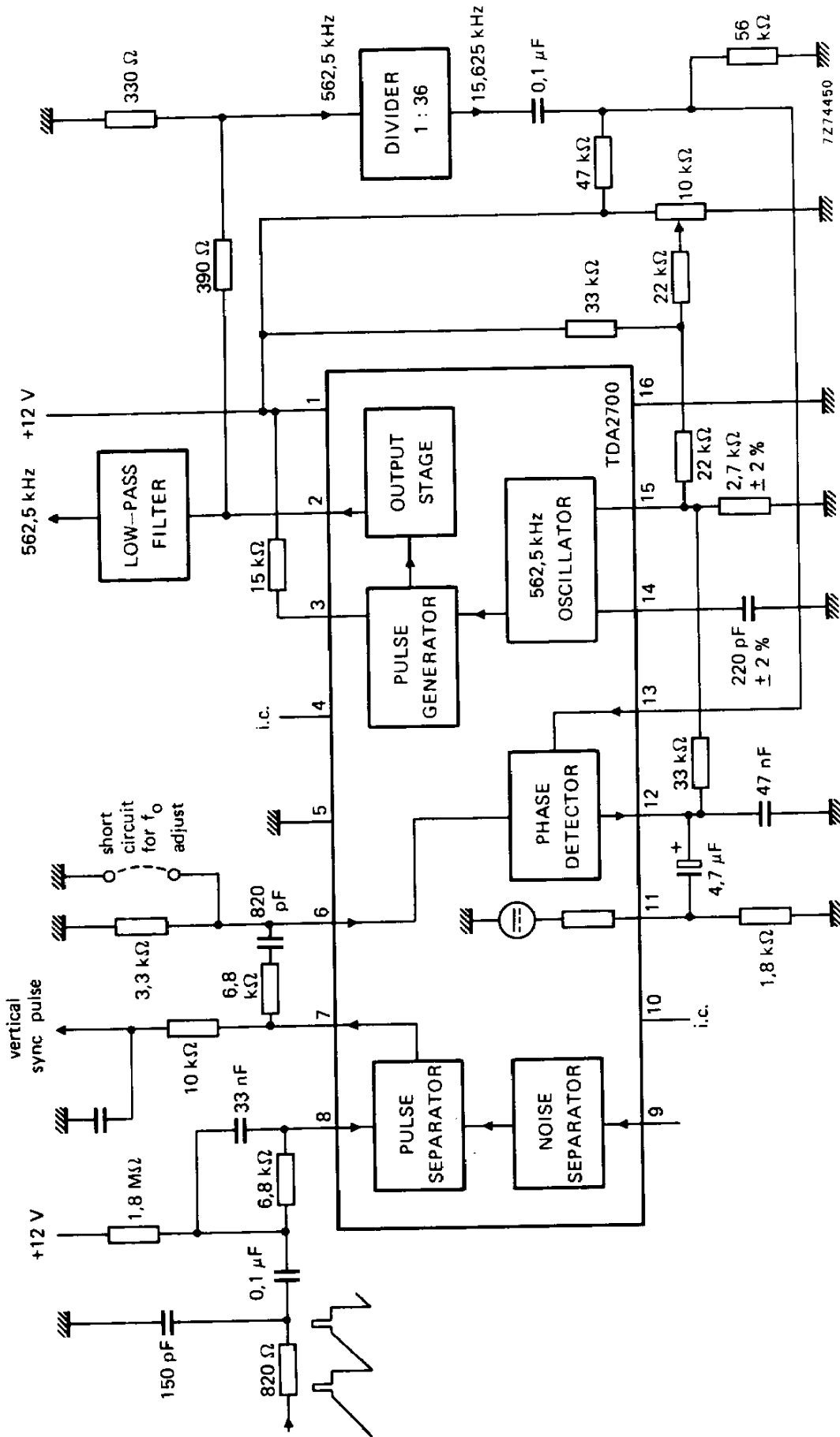
Output voltage (peak-to-peak value)	V <sub>14-16(p-p)</sub>	typ.	3 V
Charge and discharge current	I <sub>14</sub> = ±I <sub>15</sub>	typ.	0, 94 mA
Voltage at pin 15	V <sub>15-16</sub>	typ.	3, 1 V
Frequency : free running	f <sub>0</sub>	typ.	562, 5 kHz
Frequency adjustment range	Δf <sub>0</sub> /f <sub>0</sub>	typ.	10 %

1) Emitter follower.

2) Current source.

3) Adjustable with R<sub>12-15(ext)</sub>.

APPLICATION INFORMATION



354