

# AN5551

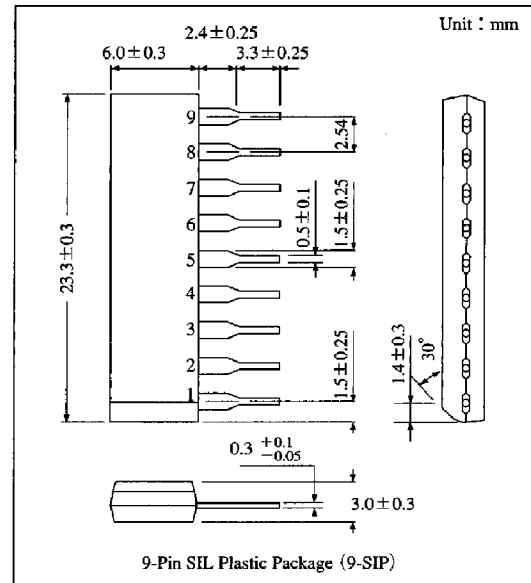
## Pin-Cushion Compensation IC

### Overview

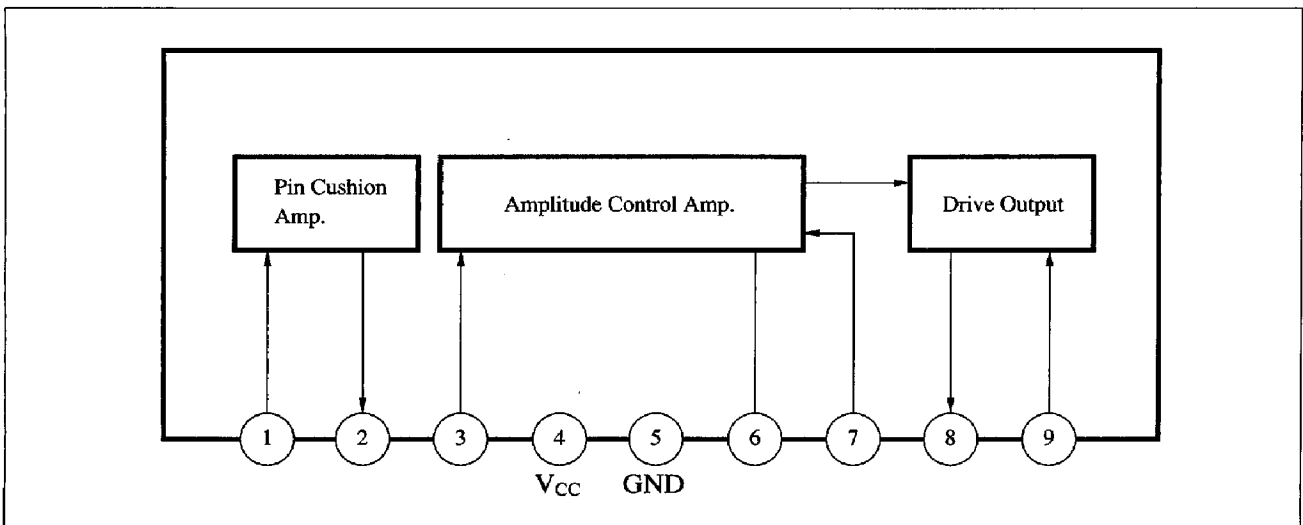
The AN5551 is an integrated circuit designed for compensation of CRT pin-cushion.

### Features

- Operating supply voltage : 12V (typ.)
- Parabola-wave generating pin-cushion amplifier built-in
- Built-in amplitude compensation-circuit for ABL compensation.



### Block Diagram



6932852 0014343 521

**Panasonic**

■ Absolute Maximum Ratings (Ta=25°C)

Parameter		Symbol	Rating		Unit
Voltage	Supply voltage	V <sub>4-5</sub>	24		V
	Circuit voltage	V <sub>2-5</sub> , V <sub>3-5</sub> , V <sub>6-5</sub>	0	V <sub>4-5</sub>	V
Current	Circuit current	I <sub>8</sub>	-10	0	mA
		I <sub>9</sub>	-10	10	mA
Power dissipation		P <sub>D</sub>	600		mW
Operating ambient temperature		T <sub>opr</sub>	-20 to +70		°C
Storage temperature		T <sub>stg</sub>	-55 to +150		°C

■ Recommended Operating Range (Ta=25°C)

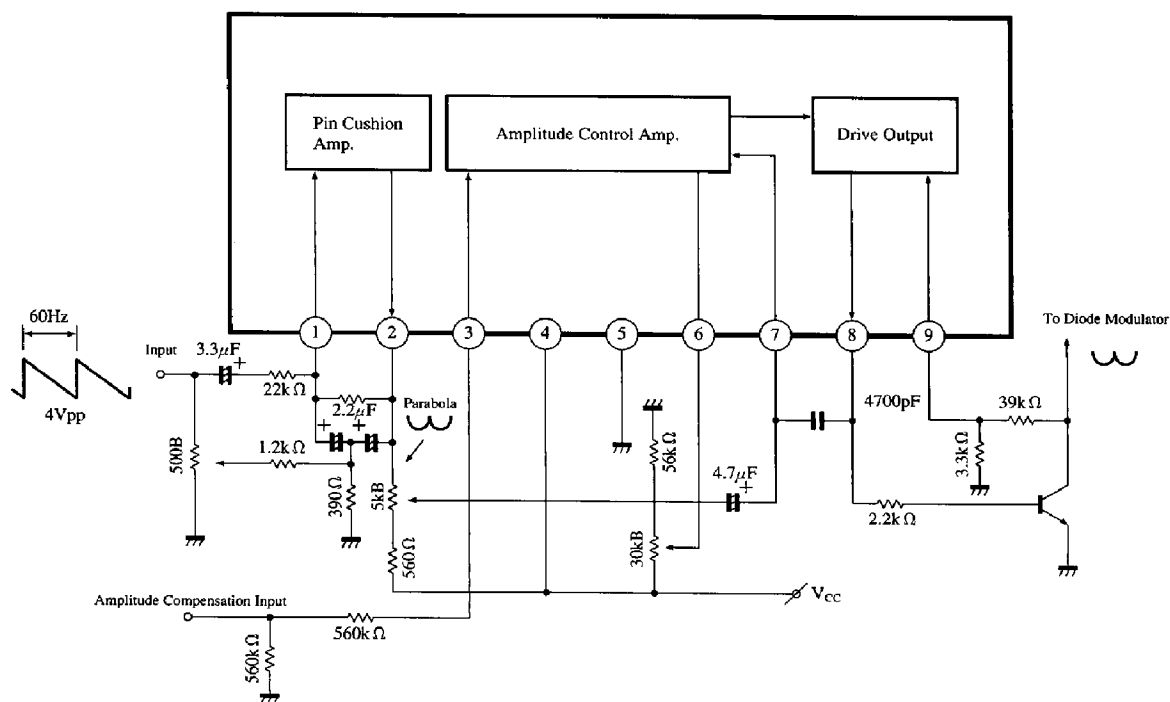
Parameter	Symbol	Range
Operating supply voltage range	V <sub>CC</sub>	9.6V to 24V

■ Electrical Characteristics (Ta=25°C)

Parameter	Symbol	Condition	min	typ	max	Unit
Circuit current	I <sub>CC</sub>	V <sub>CC</sub> =12V	5.2	7.5	10	mA
Input impedance	R <sub>IN</sub> (1)	Impedance of Pin(1)	3	5.1	9.2	kΩ
Output impedance	R <sub>out</sub> (2)	Impedance of Pin(2)	27	45	—	kΩ
Pin-cushion gm	gm(2)	gm of Pin(2)	2.5	3.7	5.6	mS
Amplitude control gm	gm(8)	gm of Pin(8)	1.1	2	2.8	mS

ICs for TV

■ Application Circuit



6932852 0014344 468

Panasonic