

# SECONDARY CHOPPER REGULATOR FOR VTR

(セカンダリーチョッパーレギュレータ)

Family シリーズ名	Constitution 構成	Maximum Rating 最大定格			Type No 機種	Output1			Output2			Frequency 周波数	Equivalent 等価回路	Application 応用回路	Package 外形図			
		Vin(DC) max V	Tc max °C	Tstg °C		Vo	Io		Vo	Io								
							Av	Pk		Av	Pk							
						V	A	A	V	A	A							
STK 7210	Chopper+Series (Out2) (Out1)	50	+105	-30	STK7216S	9.0	1.0	1.0	12.0	3.5	3.5	54	(1)	(1)	(1)			
					STK7217	9.0	1.5	1.5	12.0	5.0	5.0					(1)	(1)	(1)
					STK7221	12.0	1.5	1.0	13.6	4.0	3.5					(1)	(2)	(1)
STK 7230	Chopper+Series (Out2) (Out1)	35	+105	+105	STK7231	12.0	1.5	1.0	13.6	2.0	3.5	83	(2)	(3)	(2)			
STK 7240	Chopper+Series (Out2) (Out1)	15	+105		STK7241	5.6	0.05	—	6.6	1.5	3.0	83	(3)	(4)	(2)			

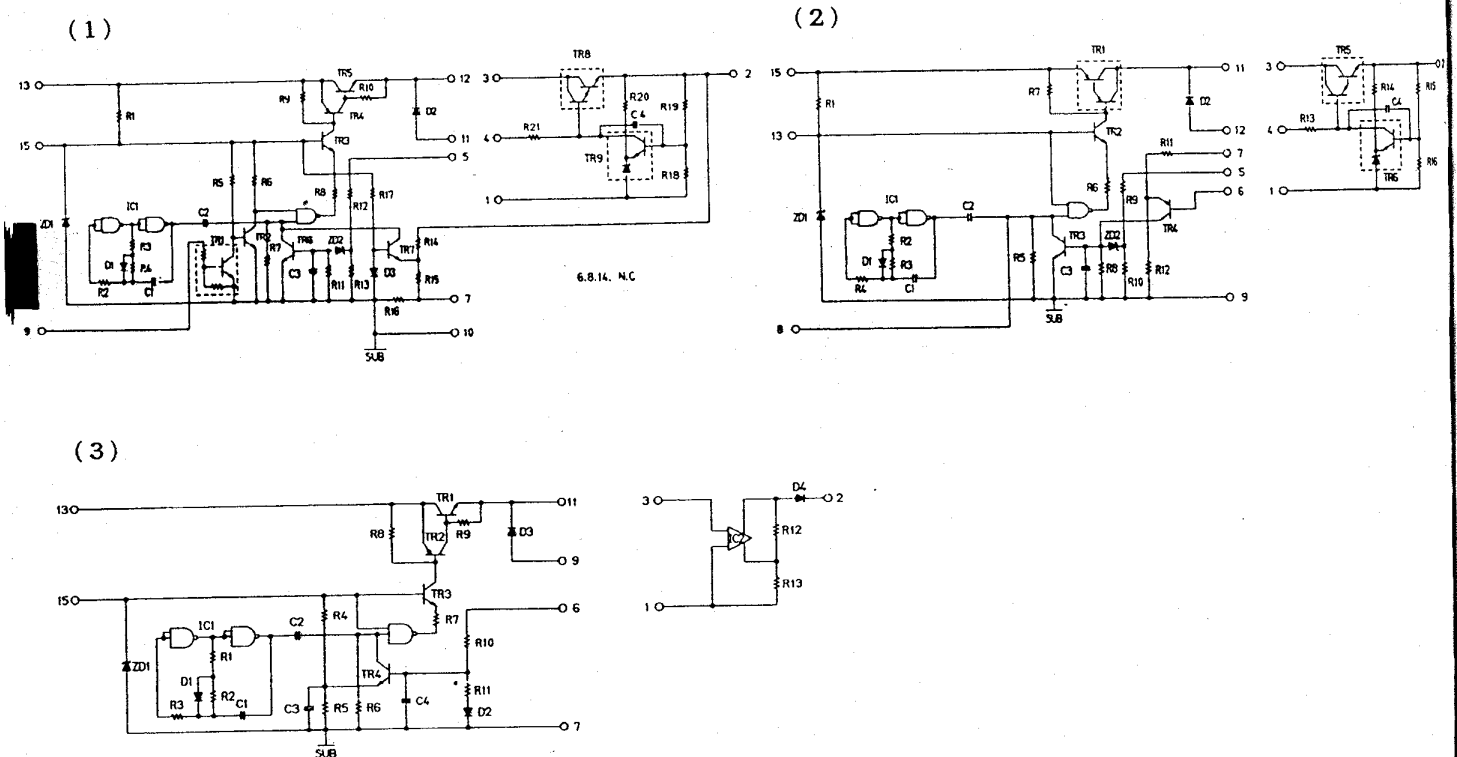
## FEATURES

- Hi-activated output cutoff function(Chopper side)
- Independent over current protection(Chopper side)
- Fixed oscillation type

## 特長

- チョッパー側はカットオフ機能付 (Hi-ON)/7210S
- チョッパー側は過電流保護機能内蔵
- 他励発振方式

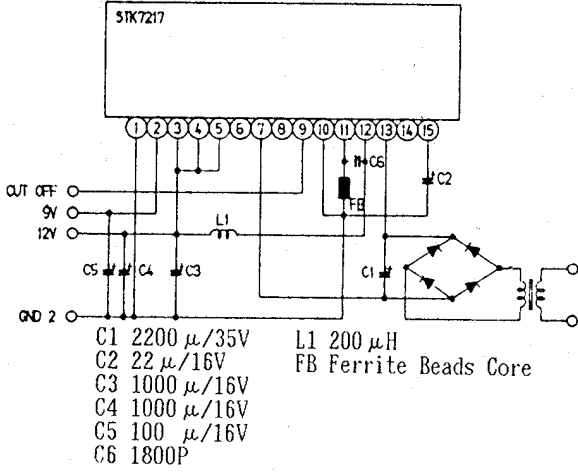
## EQUIVALENT CIRCUIT



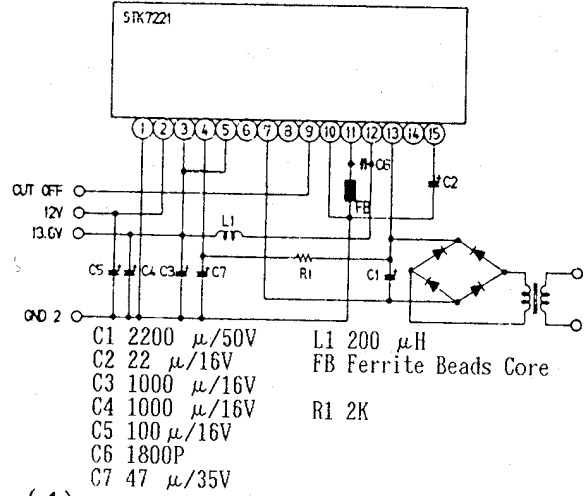
SECONDARY CHOPPER REGULATOR FOR VTR

APPLICATION

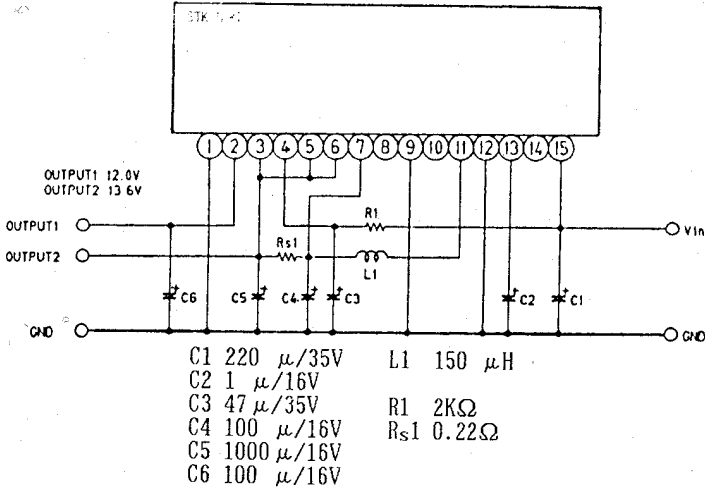
(1)



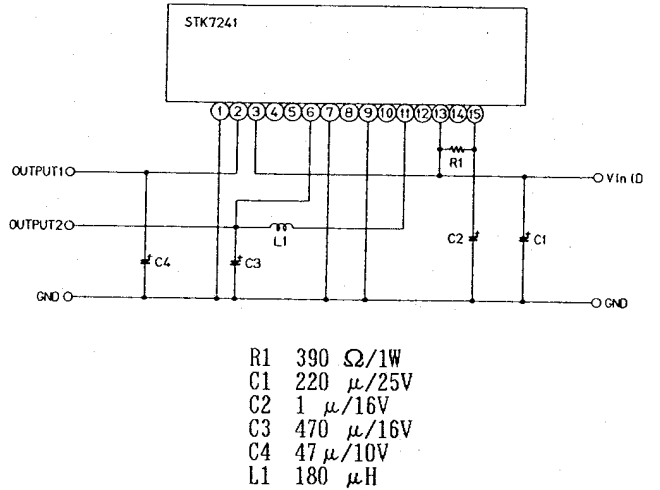
(2)



(3)

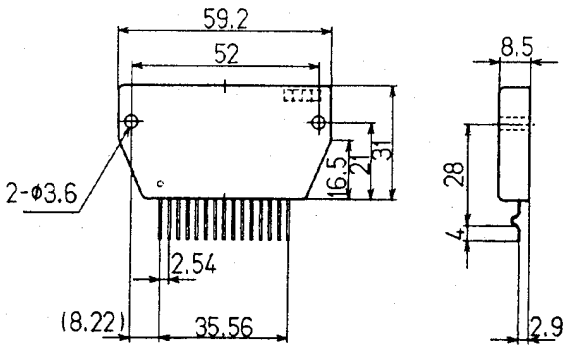


(4)



PACKAGE DIMENSION

(1)



(2)

