



BIPOLAR ANALOG INTEGRATED CIRCUIT

μ PC1028H

FM IF AMPLIFIER WITH DIFFERENTIAL PEAK DETECTOR

SILICON BIPOLAR MONOLITHIC INTEGRATED CIRCUIT

DESCRIPTION

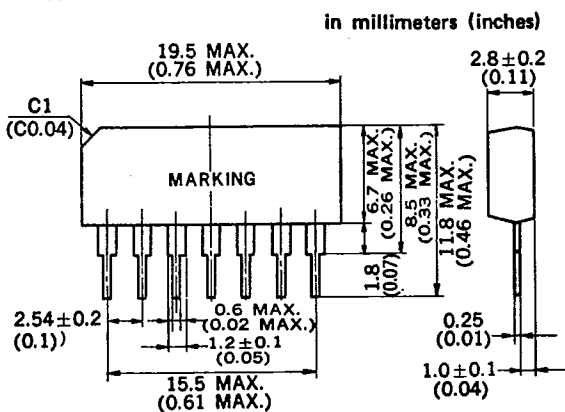
The μ PC1028H is a silicon monolithic integrated circuit intended for an FM IF amplifier with a differential peak detector.

The device contains a three-stage direct coupled differential amplifier, a low pass filter, and a differential peak detector.

The differential peak detector has such feature as simplifying external circuits and components compared with a ratio detector.

The μ PC1028H is packaged in a plastic single in-line package (SIP) for easy mounting on a printed circuit board.

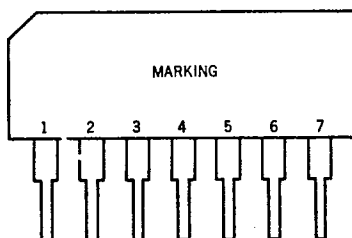
PACKAGE DIMENSIONS



FEATURES

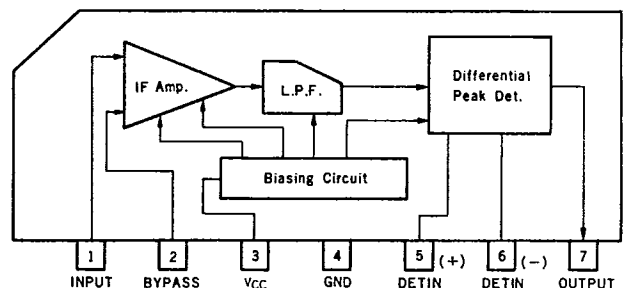
- Few external components required.
- Only one coil necessary in detector circuit, all tuning performed with the coil.
- Low distortion: T.H.D. = 0.3 % TYP. at 100 % modulation.
- SIP assures easy mounting on a printed circuit board.

CONNECTION DIAGRAM



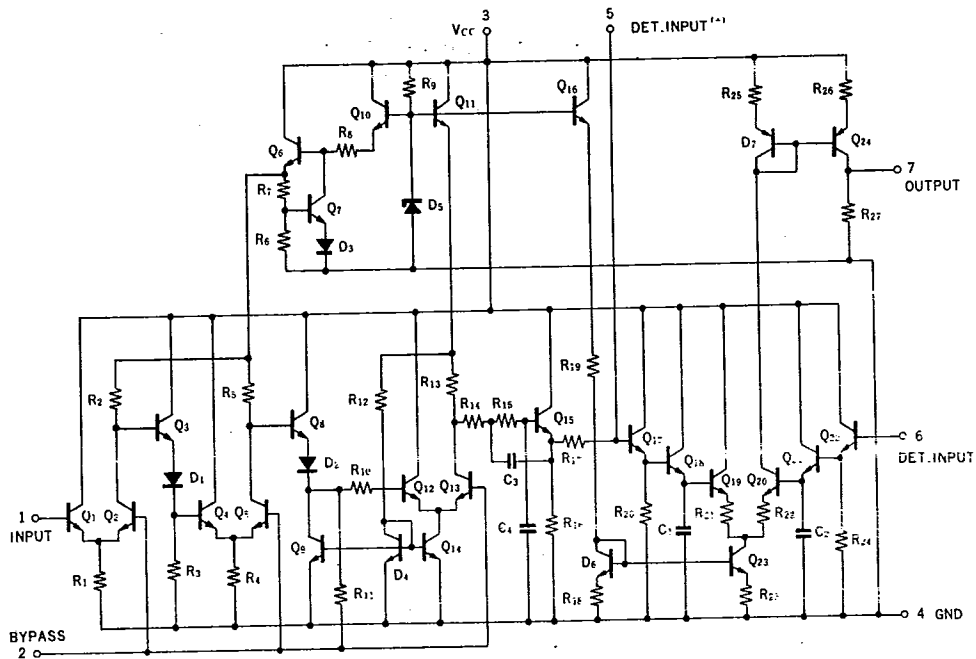
Pin No.	Electrical Connection
1	INPUT
2	BYPASS
3	VCC
4	GROUND
5	DET. IN(+)
6	DET. IN(-)
7	OUTPUT

BLOCK DIAGRAM



NEC cannot assume any responsibility for any circuits shown or represent that they are free from patent infringement.
NEC reserves the right to make changes at any time without notice in order to improve design and supply the best product possible.

EQUIVALENT CIRCUIT



ABSOLUTE MAXIMUM RATINGS (Ta = 25 °C)

Supply Voltage	V _{CC}	15	V
Package Dissipation (Ta = 75 °C)	P _D	270	mW
Operating Temperature	T _{opt}	-20 to +75	°C
Storage Temperature	T _{stg}	-40 to +125	°C

RECOMMENDED OPERATING CONDITIONS (Ta = 25 °C)

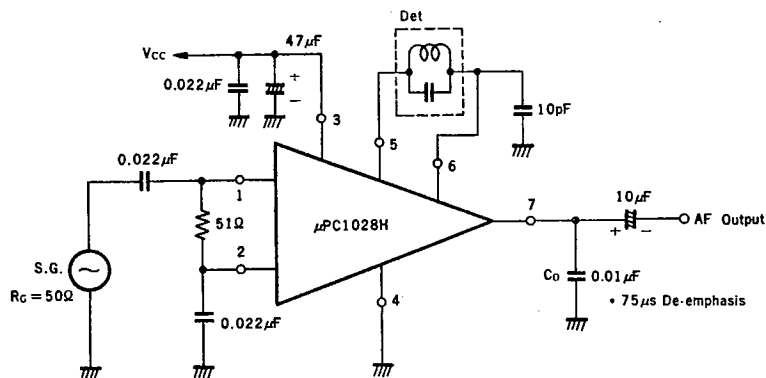
Operating Supply Voltage	10	V
Supply Voltage Range	8 to 15	V

ELECTRICAL CHARACTERISTICS

(Ta = 25 °C, V_{CC} = 10 V, f_o = 10.7 MHz, f_{MLO} = 400 Hz, Δf = ±22.5 kHz, Dev., Peak separation = 1.2 MHz, R_G = 50 Ω)

CHARACTERISTIC	SYMBOL	MIN.	TYP.	MAX.	UNIT	TEST CONDITIONS
Circuit Current	I _{CC}	8	12	16	mA	V _{in} = 0
Voltage Gain (IF Amp. stage)	A _v		67		dB	V _{in} = 40 dBμ, carrier signal only
Limiting Sensitivity	V _{in} (lim.)		48		dBμ	Input voltage, -3 dB Limiting
AM Rejection	A.M.R.		40		dB	V _{in} = 80 dBμ, AM = 30 %
Detector Output Voltage	V _o AF		165		mV	V _{in} = 80 dBμ
Total Harmonic Distortion	T.H.D. 1		0.3		%	V _{in} = 80 dBμ, Δf = ±75 kHz Dev.
Total Harmonic Distortion	T.H.D. 2		0.1		%	V _{in} = 80 dBμ, Δf = ±22.5 kHz Dev.
SN Ratio	S/N		65		dB	V _{in} = 80 dBμ
Output Impedance	R _o		7.5		kΩ	f = 400 Hz

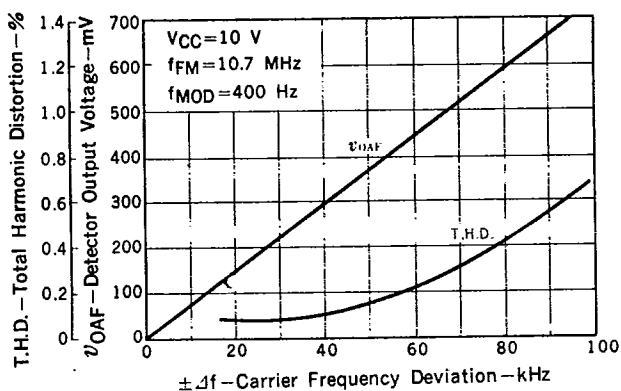
TEST CIRCUIT



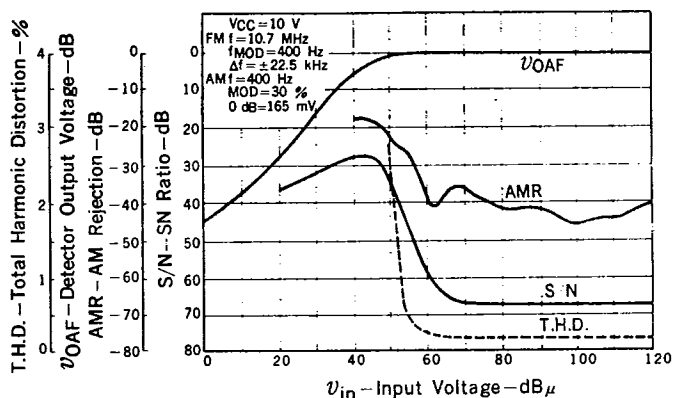
Det. Coil:
 L = 9 μH, C = 22 pF, Q_U = 50
 TKACA-17473
 TOKO INC., of Equivalent.

TYPICAL CHARACTERISTICS (T_a = 25 °C)

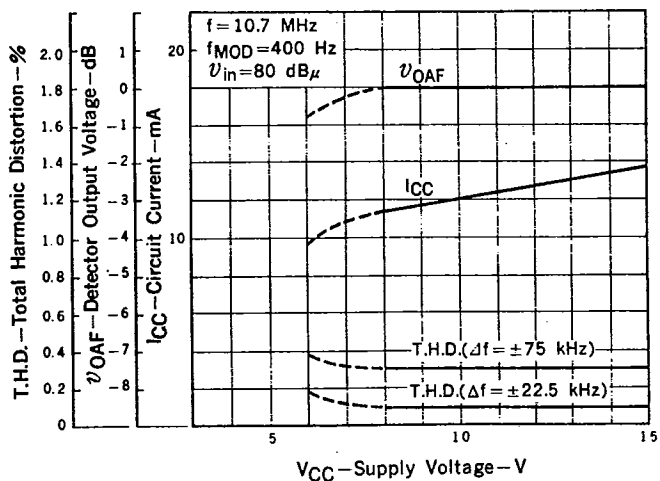
DETECTOR OUTPUT VOLTAGE, TOTAL HARMONIC DISTORTION vs. CARRIER FREQUENCY DEVIATION



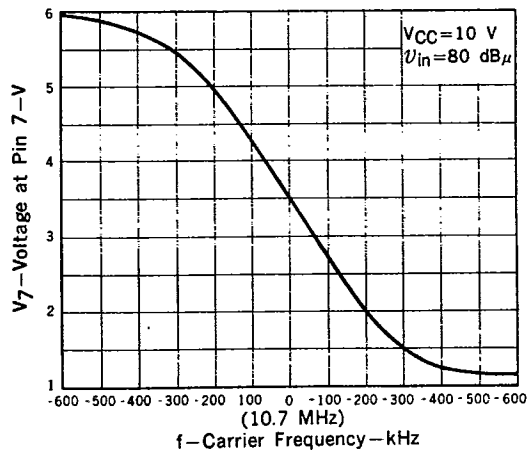
DETECTOR OUTPUT VOLTAGE, AM REJECTION, TOTAL HARMONIC DISTORTION, SN RATIO vs. INPUT VOLTAGE



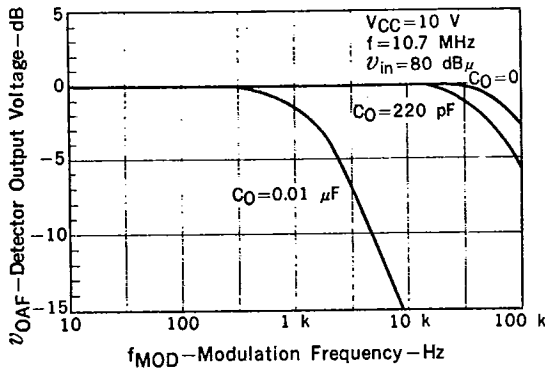
TOTAL HARMONIC DISTORTION, DETECTOR OUTPUT VOLTAGE, CIRCUIT CURRENT vs. SUPPLY VOLTAGE



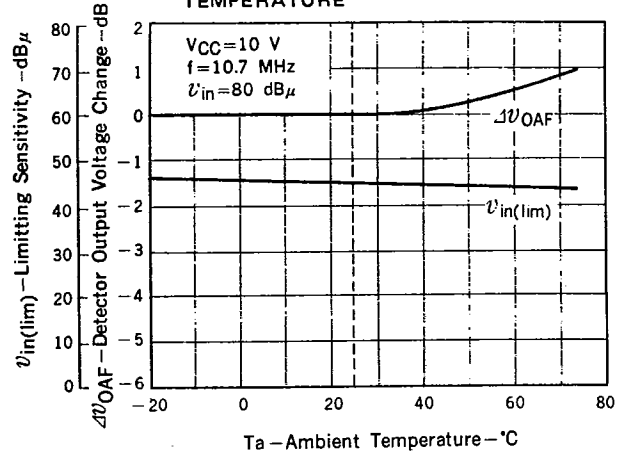
S CURVE



DETECTOR OUTPUT VOLTAGE vs. MODULATION FREQUENCY



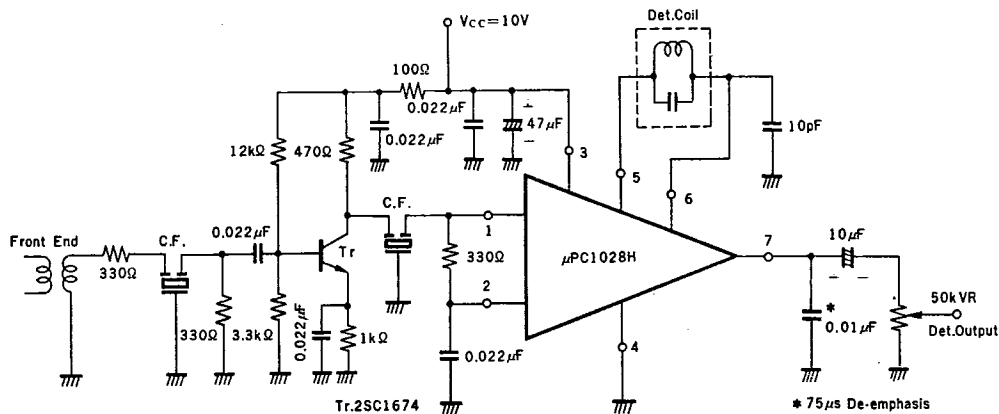
LIMITING SENSITIVITY, DETECTOR OUTPUT VOLTAGE vs. AMBIENT TEMPERATURE



DETECTOR COIL TUNING PROCEDURE

1. In the test circuit, the signal generator SG is connected to the input terminal pin 1, and the AF voltmeter and the total harmonic distortion meter are connected to the output terminal pin 7.
 2. The SG is set at $f = 10.7 \text{ MHz}$, $f_{\text{MOD}} = 400 \text{ Hz}$, $\Delta f = \pm 22.5 \text{ kHz}$ and the input level to the device under test should be $200 \mu\text{V}$.
 3. After the procedure of 1 and 2, the detector coil is adjusted so that the output level as indicated by the AF voltmeter is maintained the maximum value.
 4. Then the detector coil is finely adjusted so that the total harmonic distortion is obtained the minimum value.
 5. After the setting of 1 mV input level, the procedure of 3 and 4 are repeated.
- (By the tuning at $200 \mu\text{V}$ and 1 mV input level, the device provides the most stable characteristic from weak to strong input signal level.)

TYPICAL APPLICATION



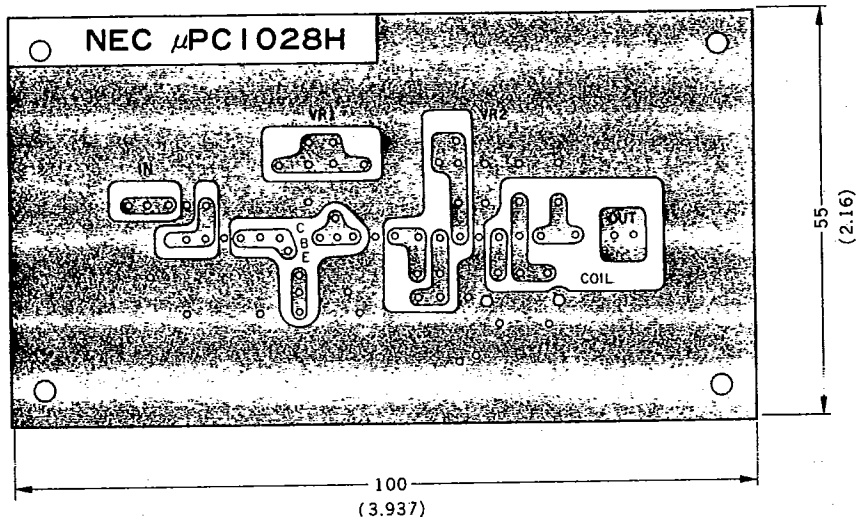
CF: Ceramic Filter
 CFS-107
 TOKO INC. made
 SFE 10.7MA
 MURATA CO. made
 or equivalent.

Det. Coil
 $f_0 = 10.7 \text{ MHz}$, $Q_0 = 50$
 $C = 22 \text{ pF}$ (Built in)
 TKACA-17473Z
 TOKO INC. made
 or equivalent.

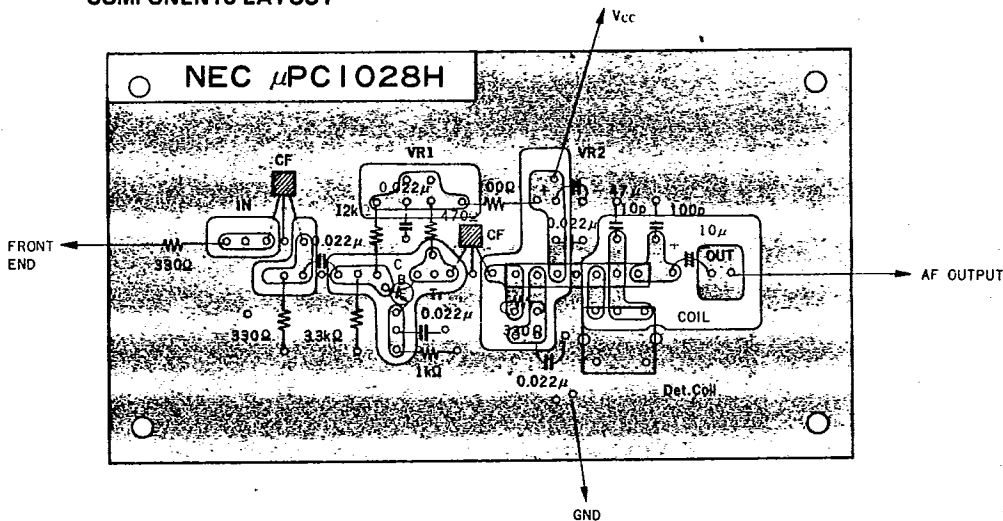
PRINTED CIRCUIT BOARD PATTERN

in millimeters (inches)

FOIL SIDE



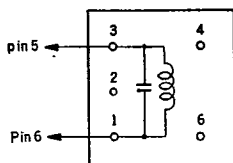
COMPONENTS LAYOUT



CF: Ceramic Filter
SFE10.7 MA (Red)
MURATA CO. made
or equivalent

Tr: 2SC1674
2SC1675

DET COIL DATA



TYPE TKACA-17473Z
TOKO INC., made
 $f_o = 10.7$ MHz
 $C = 22$ pF
 $Q_U = 50$