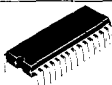
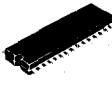


LA7025	monolithic linear IC	CIRCUIT DRAWING No.2130
VTR LUMINANCE SIGNAL PLAYBACK PROCESSOR FOR PAL VTR		 3063

Features and Functions

- Also suited for use in portable sets because of low supply voltage (9V) operation and small current dissipation.
- Minimum number of external parts required.
- Excellent reduced voltage, temperature characteristics.

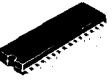
LA7031	monolithic linear IC	CIRCUIT DRAWING No.2132
LUMINANCE SIGNAL PROCESSOR FOR VTR OF VHS SYSTEM		 3061

Feature

- This IC is a very streamlined IC. When used in conjunction with the LA7030, it is capable of performing all luminance signal processing functions of recording/playback.

Functions

- | | | | |
|---------------------|----------|-----------------------|------|
| ■ Sync separation | REC/P.B. | ■ FM demodulator | P.B. |
| ■ Video output amp. | REC/P.B. | ■ Dynamic de-emphasis | P.B. |
| ■ Video AGC | REC | ■ Noise canceler | P.B. |
| ■ Monitor squelch | REC | ■ Y/C mix amp. | P.B. |
| ■ FM limiter | P.B. | ■ White peak clip | P.B. |


LA7032	monolithic linear IC	CIRCUIT DRAWING No.2133
CHROMINANCE SIGNAL PROCESSOR FOR VTR OF VHS SYSTEM		 3061

Feature

- This IC is a very streamlined IC. It is capable of performing all chrominance signal processing functions of recording/playback on a single chip.

Functions

- | | |
|---------------------------------|--|
| ■ ACC | ■ 4-phase $40f_H$ signal generator |
| ■ Burst pre/de-emphasis circuit | ■ 3.58MHz V_{CO} circuit |
| ■ Color APC, AFC circuit | ■ Burst gate pulse shaper, $1/2H$ killer |
| ■ Subconverter | ■ 60Hz quasi sync signal shaper |
| ■ $160f_H$ V_{CO} circuit | |

LA7033	monolithic linear IC	CIRCUIT DRAWING No.2136
LUMINANCE SIGNAL PROCESSOR FOR VTR OF VHS SYSTEM		 3061

Feature

- This IC is a very streamlined IC. When used in conjunction with the LA7031, it is capable of performing all luminance signal processing functions of recording/playback.

Functions

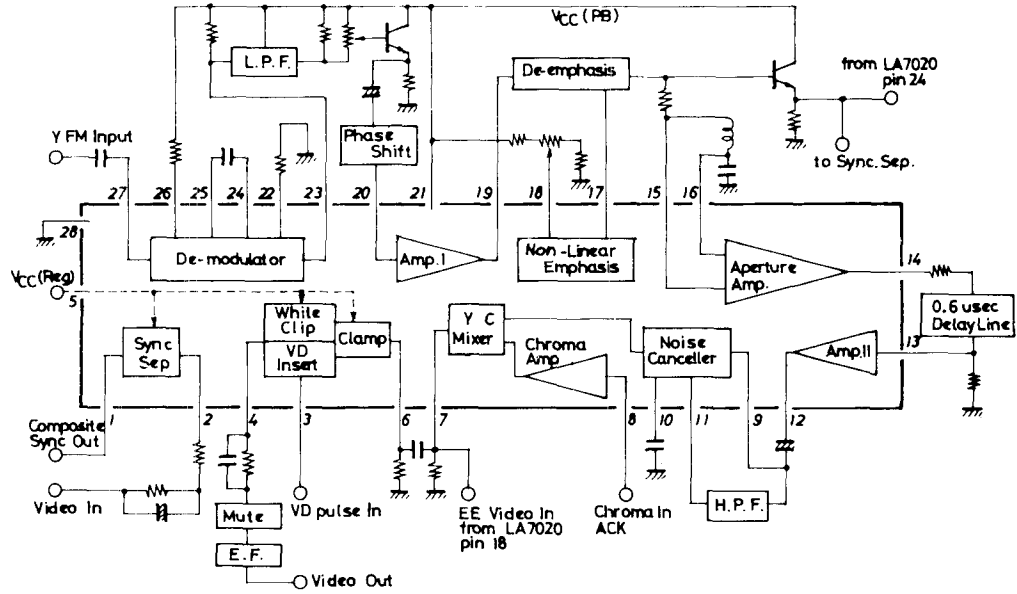
- | | |
|--|--|
| <ul style="list-style-type: none"> ■ Recording Section <ol style="list-style-type: none"> 1. Sync chip clamp 2. Nonlinear emphasis 3. Main pre-emphasis 4. White clip 5. Dark clip 6. FM modulation 7. Recording buffer amp. 8. Recording start switch | <ul style="list-style-type: none"> ■ Playback Section <ol style="list-style-type: none"> 1. Preamp. 2. Preamp. channel select switch 3. FM AGC amp. 4. D.O.C. ■ Other <ol style="list-style-type: none"> 1. REC/PB head select switch |
|--|--|

Continued from preceding page.

TELEVISION (COLOR, B/W) AND VTR APPLICATIONS (monolithic integrated circuit)

Type Number	Page	Case			Circuit Drawing No.	Circuit Functions & Applications	Recommended Vcc [V]	Icc [mA]	Main Specifications
		Package	Pins	Package No.					
LA 7 0 0 0	148	DIP	28	3012A	2117	VTR Luminance Signal Recording Processor	9	55	β -system Y recoding, playback
LA 7 0 0 0 S	148	DIP	28SN	3063	2117	VTR Luminance Signal Recording Processor	9	55	β -system Y recoding, playback
LA 7 0 0 3	148	DIP	28	3012A	2118	VTR Chroma Processor	9	55	Chroma recording, playback
LA 7 0 0 3 S	148	DIP	28SN	3063	2118	VTR Chroma Processor	9	55	Chroma recording, playback
LA 7 0 0 5	149	DIP	28	3012A	2119	VTR Luminance Signal PB Processor	9	58	Min. number of parts due to on-chip de-emphasis circuit
LA 7 0 0 5 S	149	DIP	28SN	3063	2119	VTR Luminance Signal PB Processor	9	58	Min. number of parts due to on-chip de-emphasis circuit
LA 7 0 0 7	149	DIP	28	3012A	2121	VTR Playback Preamp	9	67	2-channel head amp, DOC function
LA 7 0 0 7 S	149	DIP	28SN	3063	2121	VTR Playback Preamp	9	67	2-channel head amp, DOC function
LA 7 0 0 9	149	DIP	24	3011A	2122	VTR Chroma Sync Processor	9	58	Chroma sync function using IIL
LA 7 0 0 9 S	149	DIP	28SN	3063	2122	VTR Chroma Sync Processor	9	58	Chroma sync function using IIL
LA 7 0 1 1	149	DIP	14	3003A	2120	Sensor Amplifier	12	7.5	Sensor using oscillator circuit configuration
LA 7 0 1 3	150	DIP	16	3006A	2123	VTR Noise Canceler	9	32	Small-sized package, low power dissipation, applicable to NTSC, P systems
LA 7 0 1 5 N	150	SEP	16	3020A	2124	VTR RF Modulator(VHF)	9	-	All functions of RF modulator
LA 7 0 1 6	150	SEP	8	3016B	2126	Analog Switch	12	-	Low distortion, good HF characteristics, with emitter follower
LA 7 0 1 7	150	SEP	16	3020A	2125	VTR Sound Multiplex Modulator	9	-	Meets stereo, bilingual, monaural requirements, no reed filter required
LA 7 0 1 8	151	DIP	8	3001A	2127	Analog Switch	12	-	Low distortion, good HF characteristics, with emitter follower
LA 7 0 1 9	151	DIP	8C2	3030A	2128	Analog Switch	12	-	Low distortion, good HF characteristics
LA 7 0 2 0	151	DIP	28SN	3063	2129	PAL VTR Luminance Signal Recording Processor	9	-	Operation from low voltage (9V), fewer external parts
LA 7 0 2 5	152	DIP	28SN	3063	2130	PAL VTR Luminance Signal Playback Processor	9	-	Operation from low voltage (9V), low current dissipation, good temperature characteristic of reduced voltage
LA 7 0 2 7	151	DIP	28SN	3063	2131	PAL VTR Playback Preamplifier	9	-	2-channel head amp DOC function
LA 7 0 3 1	152	DIP	30SN	3061	2132	VHS Luminance Signal Processor(2)	9	-	Playback (recording also) signal processing function
LA 7 0 3 2	152	DIP	30SN	3061	2133	VHS Chroma Signal Processor	9	-	All functions of chroma signal processor
LA 7 0 3 3	152	DIP	30SN	3061	2136	VHS Luminance Signal Processor(1)	9	-	Recording (playback also) signal processing function
※ LA 7 0 3 4	153	DIP	30SN	3061	2134	VHS Luminance Signal Processor	9	-	Improved version of LA7033
LA 7 0 3 5	153	DIP	30SN	3061	2135	VHS Chroma Signal Processor	9	-	Improved version of LA7032
LA 7 0 4 0	154	DIP	18	3007A	2138	VTR Audio Recording/Playback Processor	9	-	Recording/playback amp required for VTR audio signal system
LA 7 0 4 2	154	DIP	20S	3021B	2137	VTR Audio Recording/Playback Processor	9, 12	-	Good ALC characteristic
LA 7 0 4 3 M	154	MFP	20	3036B	2140	VTR Audio Recording/Playback Processor	9	-	With earphone amp
LA 7 0 4 5	155	DIP	20S	3021B	2141	VTR Audio Recording/Playback Processor	9, 12	-	Smaller gain of microphone amp as compared with LA7042
LA 7 0 4 6	155	DIP	20S	3021B	2142	VTR Audio Recording/Playback Processor	9, 12	-	Capable of setting input impedance of equalizer externally
LA 7 0 4 8	156	DIP	20S	3021B	2143	VTR Audio Recording/Playback Processor	9, 12	-	Smaller gain of microphone amp as compared with LA7046
LA 7 0 5 0	156	SEP	9	3017B	2139	VTR RF Modulator(UHF)	7.5	-	Good temperature characteristics
LA 7 0 5 1	156	SEP	9	3017B	2144	VTR RF Modulator(PAL)	7.5	-	With white clip circuit
⊙ LA 7 0 6 0	157	DIP	18	3007A	2145	VTR Head Amp I (β)	5	-	Also meets requirements of β -HiFi set.
⊙ LA 7 0 6 1	157	SEP	16	3020A	2146	VTR Head Amp II (β)	5	-	Also meets 4-head requirements when used in conjunction with LA7060.
⊙ LA 7 0 7 0	157	DIP	30S	3047A	2147	VTR Luminance Signal Recording/Playback Processor I (β -NTSC)	5	-	Low current dissipation

2130:LA7025
EQUIVALENT CIRCUIT BLOCK DIAGRAM



2131:LA7027
EQUIVALENT CIRCUIT BLOCK DIAGRAM

