

Type	Ordering code	Package
TDA 4944	Q67000-A2186	DIP 14

The integrated circuit TDA 4944 is comprised with a switchable matrix, CCIR VTR input and output, analog switches and an LED driver.

The *L-R* information is determined by the matrix switched with the tristate input. This switch input is controlled by the preceding pilot tone decoding circuit TDA 4940. By combining the stereo VTR input and output, a standard VTR recorder can be attached. The subsequent analog switch enables the selection of audio I or audio II during dual audio operation. The position of the analog switch and/or stereo or mono operation are indicated by the externally connected LEDs. During VTR playback both LEDs are switched on. All outputs are short-circuit resistant.

### Features

- Switchable matrix
- VTR input and output according to CCIR standards
- All outputs are short-circuit resistant

### Maximum ratings

Supply voltage	$V_{S12}$	16.5	V
Junction temperature	$T_j$	150	°C
Storage temperature range	$T_{stg}$	-40 to 125	°C
Thermal resistance (system-air)	$R_{th SA}$	90	K/W

### Operating range

Supply voltage	$V_{S12}$	10 to 15.8	V
Frequency (-1 dB)	$f_{4, 6, 1, 13}$	20 to 20 000	Hz
Ambient temperature	$T_A$	0 to 70	°C

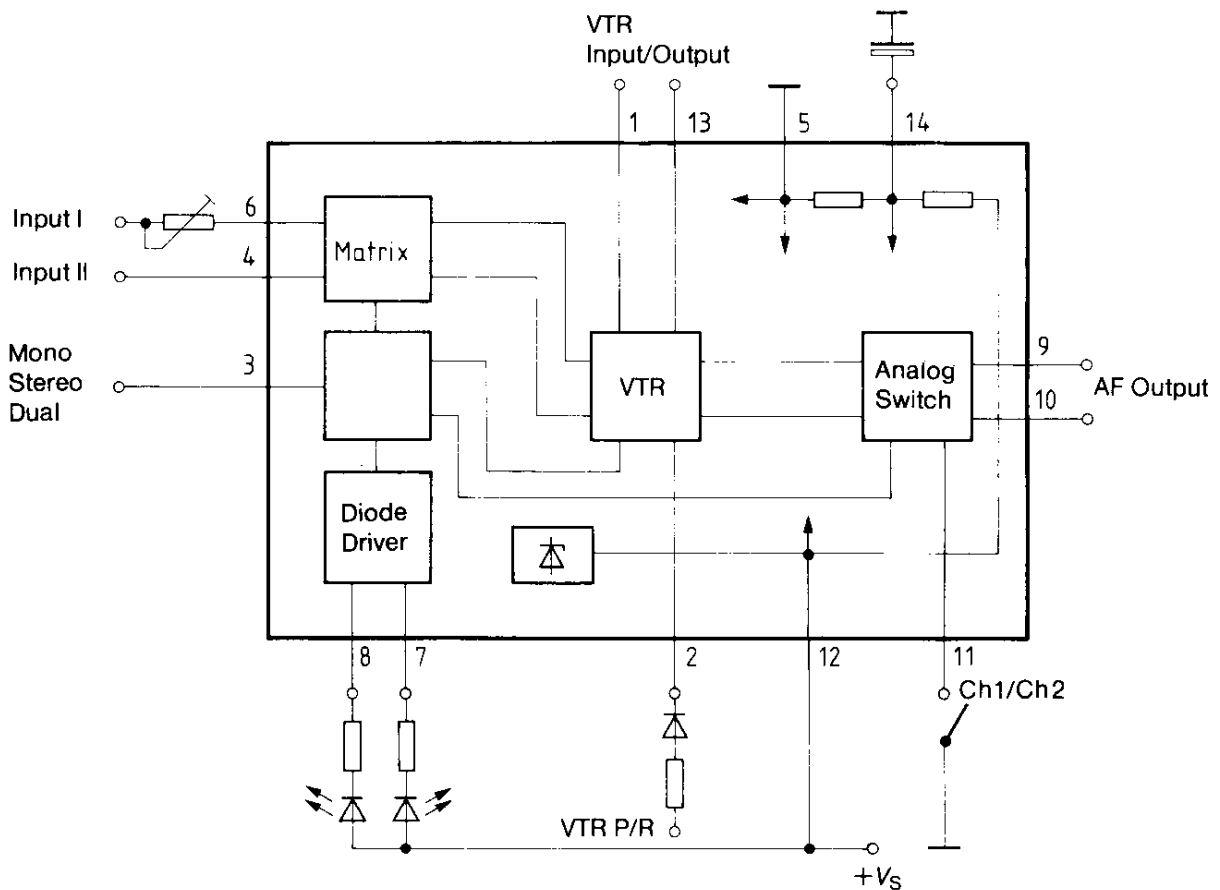
**Characteristics** $V_S = 12\text{ V}; T_A = 25\text{ }^\circ\text{C}$ 

		min	typ	max	
Total current consumption (without LED)	$I_{S12}$		14		mA
LED driver current (each LED)	$I_{LED\ 7,8}$	10	15		mA
Input resistance audio I	$R_{i6}$		15		k $\Omega$
Input resistance audio II	$R_{i4}$		30		k $\Omega$
Input current of the VTR circuit	$I_2$			300	$\mu\text{A}$
Input voltage audio I $THD = 0.7\%$	$V_{i6\ rms}$		150	600	mV
Input voltage audio II $THD = 0.7\%$	$V_{i4\ rms}$		300	1200	mV
Input voltage VTR (playback)	$V_{i1,13\ rms}$		0.5	2	V
Output voltage VTR $V_{i6\ rms} = 150\text{ mV}; V_{i4\ rms} = 300\text{ mV}$	$V_{q1,13\ rms}$		500		mV
AF output voltage $V_{i6\ rms} = 150\text{ mV}; V_{i4\ rms} = 300\text{ mV}$	$V_{q9,10\ rms}$		300		mV
Output resistance AF output	$R_{q9,10\ rms}$		0.2		k $\Omega$
Output resistance VTR output	$R_{q1,13}$		0.2		k $\Omega$
Total harmonic distortion $V_{i4\ rms} = 1\text{ V}; V_{i6\ rms} = 0.5\text{ V}$	$THD$			0.5	%
Channel separation	$a_{L/R}$		60		dB
Disturbance voltage spacing $V_{i6\ rms} = 150\text{ mV}; V_{i4\ rms} = 300\text{ mV};$ $f_i = 20\text{ Hz to } 20\text{ kHz}$	$a_{S+N/N}$		70		dB
Noise voltage at the AF output	$V_{n\ AF\ 9,10}$		100		$\mu\text{V}$
Switch input audio I/audio II H input voltage = audio I = S1 open L input voltage = audio II = S1 closed	$V_{H,11}$ $V_{L,11}$	4 0		$V_S$ 2.8	V V
Switch input VTR P/R H input voltage $\triangleq$ VTR-P S2 closed L input voltage $\triangleq$ VTR-R S2 open	$V_{H2}$ $V_{L2}$	8 0		$V_S$ 5	V V
Switch voltage matrix dual audio	$V_3$	0		$1/6 V_S$	V
mono	$V_3$	$1/3 V_S$		$2/3 V_S$	V
stereo	$V_3$	$5/6 V_S$		$V_S$	V
Input current	$I_{11}$		20		$\mu\text{A}$

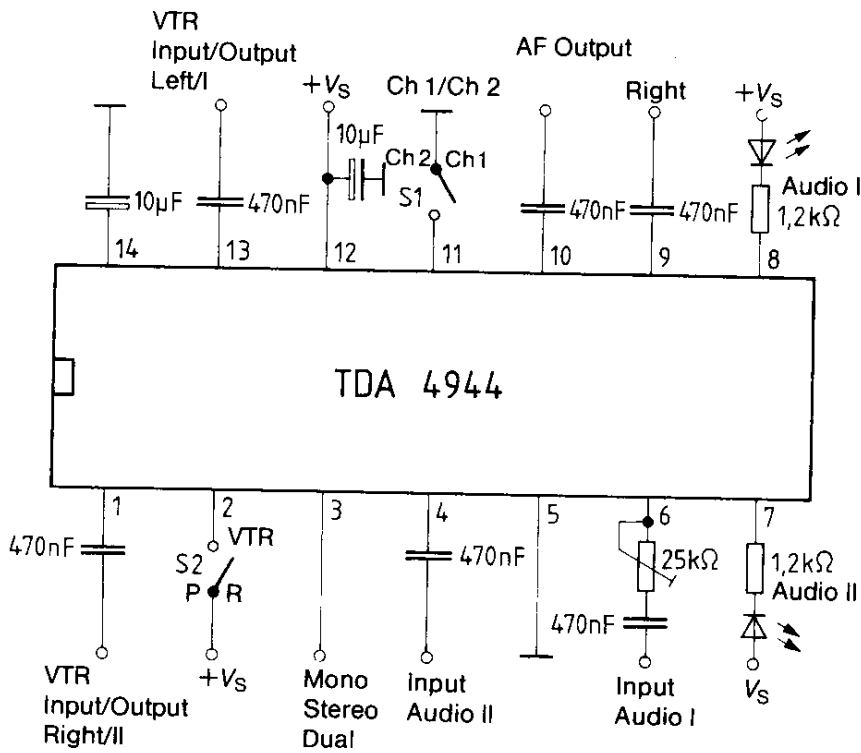
Pin description

Pin	Function
1	Combined VTR input/output, right channel II
2	VTR record/play mode switch
3	Mono, stereo or dual sound mode switch
4	Channel II demodulator input (5.75 MHz)
5	GND
6	Channel I demodulator input (5.5 MHz, NTSC 4.5 MHz)
7	LED driver for channel II indication
8	LED driver for channel I indication
9	AF output right channel
10	AF output left channel
11	Audio channel I/channel II mode switch
12	+V <sub>S</sub>
13	Combined VTR input/output left/channel I
14	Decoupling capacitor

Block diagram



Application circuit



Truth table

Pin 2	Pin 3	Pin 11	Pin 7	Pin 8
VTR P/R	Tristate input	Audio I/II	LED II	LED I
$V_S = \text{Play}$	any	any	ON	ON
0 V = Rec	0 V = 2 tone	Open = Audio I	OFF	ON
0 V	0 V	GND = Audio II	ON	OFF
0 V	$1/2 V_S = \text{Mono}$	any	OFF	OFF
0 V	$V_S = \text{Stereo}$	any	ON	ON