

HA12413

FM/AM IF SYSTEM

The HITACHI HA12413 is an IC for FM/AM IF system. Typical applications include cassette radios and modular stereos, functioning and featuring as follows.

FUNCTIONS

FM ● IF Amplifier

(With C.F. is inserted between the stages)

- Audio Amplifier
- Quadrature Detector
- Signal Meter
(One external NPN transistor required. Used also for AM)
- Center Meter

AM ● IF Amplifier (With AGC)

- Detector
- Signal Meter
(Same pin with FM)

FEATURES

FM ● High Limiting Sensitivity, and High Stability (33dB μ)

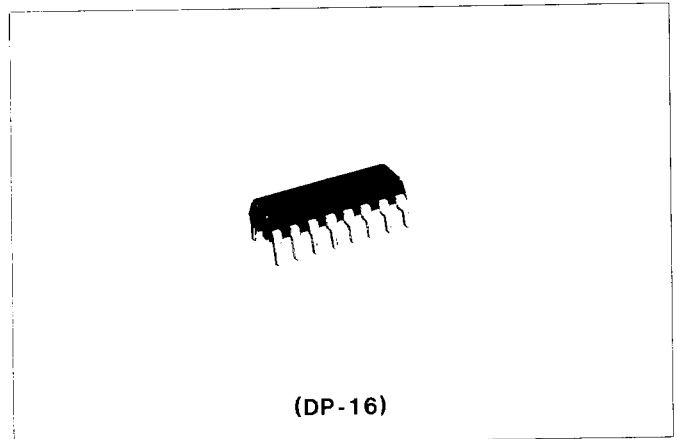
- Low Residual Noise (-45dB at Vin=-10dB μ)
- Small Side Peak of Detuned Output Voltage
(Peak Level is approx. +2dB in comparison with that of Center Frequency)
- Muting Available at lower input level
(One external PNP transistor required)

AM ● Voltage Regulator for RF external Circuit

- High AGC Figure of merit

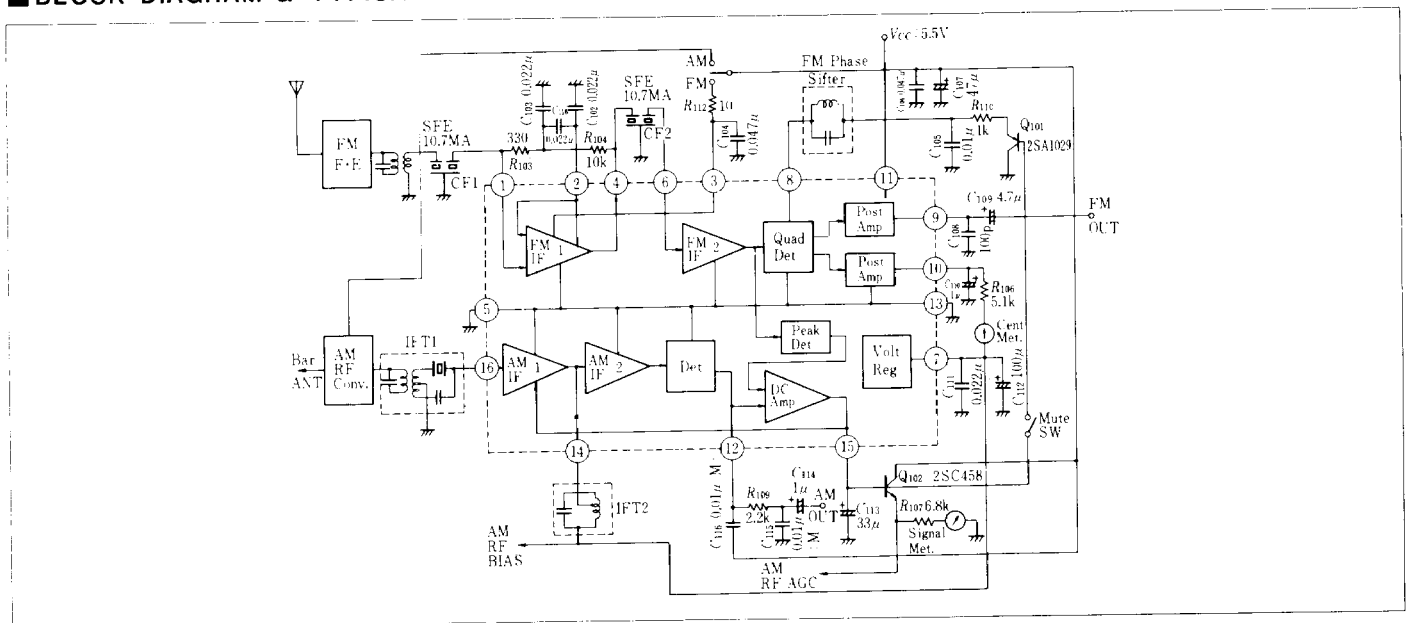
FM/AM

- Low Operating Current (FM: 11mA, AM:8mA)
- Wide Range of Operating Supply Voltage (3V~16V)
- Low External Parts count



(DP-16)

BLOCK DIAGRAM & TYPICAL APPLICATION CIRCUIT



ABSOLUTE MAXIMUM RATINGS (Ta=25°C, unless otherwise specified)

Item	Symbol	Rating	Unit
Supply Voltage	V _{CC}	16	V
Power Dissipation	P _T *	350	mW
Operating Temperature Range	T _{OP}	-20 to +70	°C
Storage Temperature Range	T _{STG}	-55 to +125	°C

*Value at Ta=70°C

■ ELECTRICAL CHARACTERISTICS

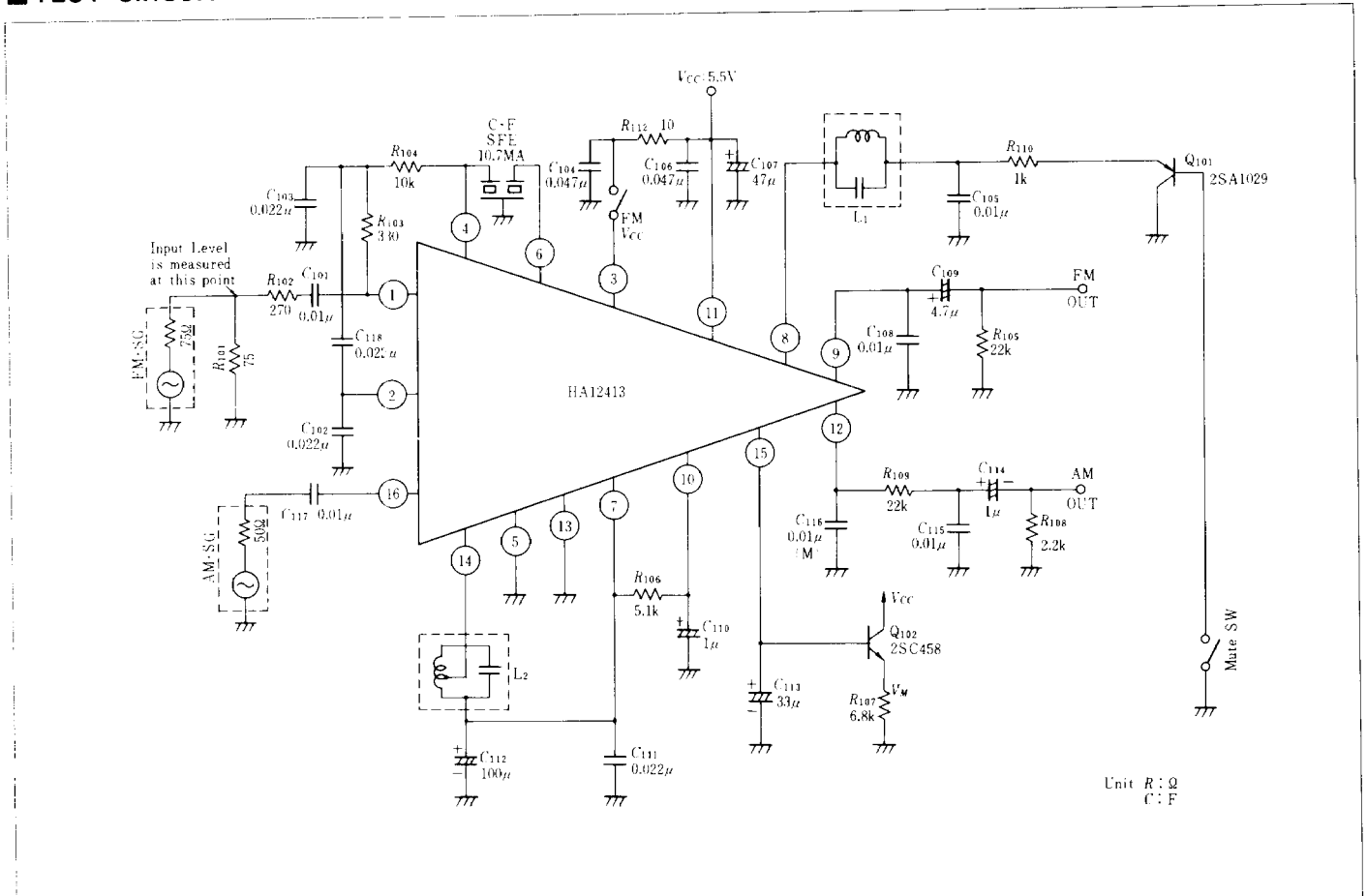
(at $T_a=25^{\circ}\text{C}$ unless otherwise specified, the test conditions are:

FM: $V_{CC}=5.5\text{V}$, $f_c=10.7\text{MHz}$, $f_m=1\text{kHz}$, $\Delta f=75\text{kHz}$

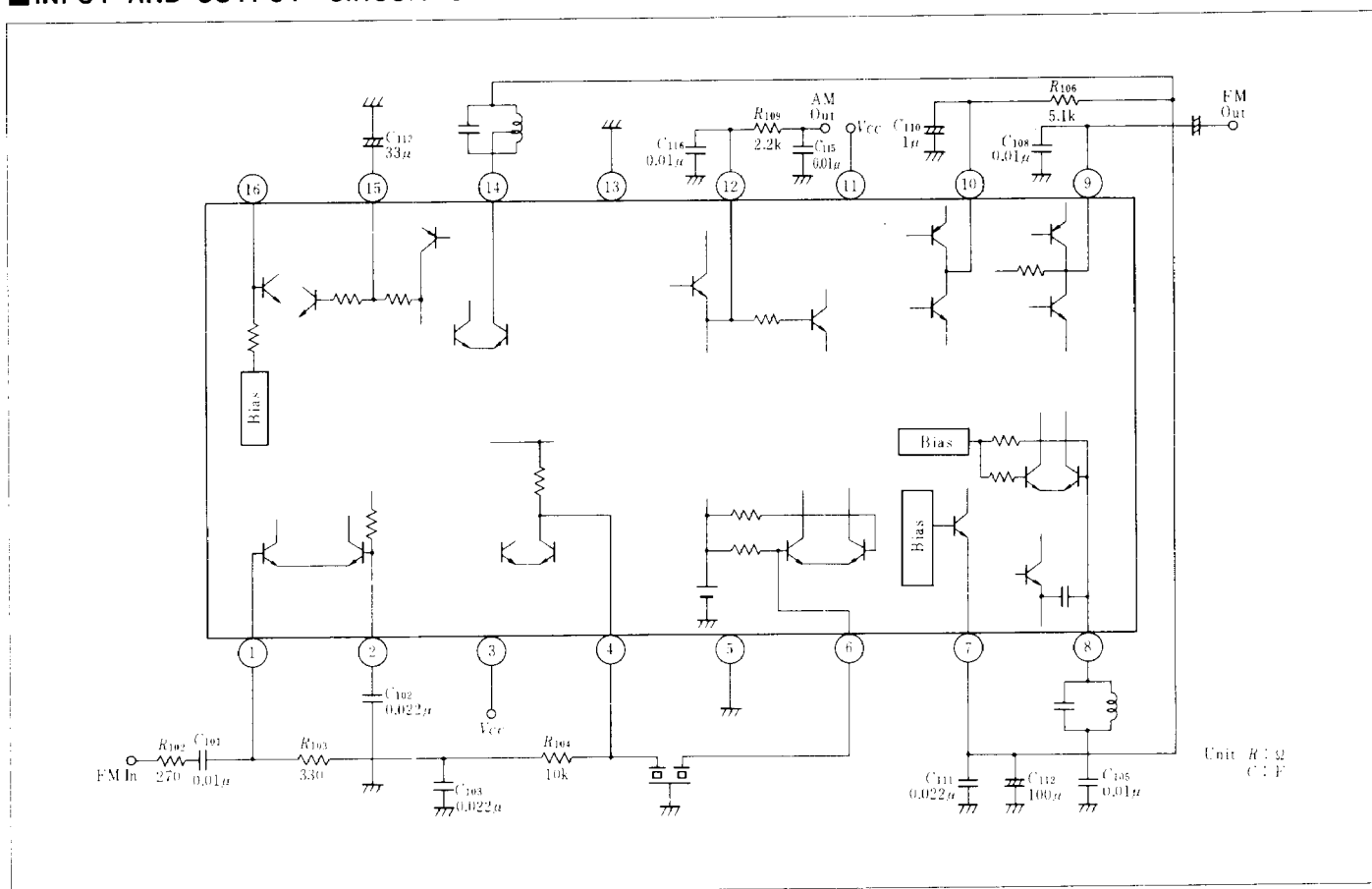
AM: $V_{CC}=5.5\text{V}$, $f_c=455\text{kHz}$, $f_m=1\text{kHz}$, $m=30\%$)

	Item	Symbol	Test Conditions	min.	typ.	max.	Unit
FM	Operating Current	I_{CC}	$V_{CC}=5.5\text{V}$, No Input	7	11	16.5	mA
	Audio Output Voltage	$V_{O:AF}$	$V_{in}=100\text{dB}\mu$	180	245	310	mV
	Total Harmonic Distortion	$T.H.D.$	$V_{in}=100\text{dB}\mu$	—	0.3	1.0	%
	Limiting Sensitivity	$V_{in(lim)}$	the value of input to make output lower by 3dB	—	33	38	$\text{dB}\mu$
	Signal-to-Noise Ratio	S/N	$V_{in}=100\text{dB}\mu$	72	83	—	dB
	AM Rejection Ratio	AMR	$V_{in}=100\text{dB}\mu$, AM Modulation: $f_m=1\text{kHz}$, $m=30\%$	50	60	—	dB
	Signal Meter Output Voltage	V_M	$V_{in}=100\text{dB}\mu$	1.05	1.5	2.05	V
	Residual Noise	V_N	Noise level with $V_{in}=-10\text{dB}\mu$ to Audio Output Voltage with $V_{in}=100\text{dB}\mu$	—	45	—	dB
AM	Muting Attenuation	$Mute_{(ATT)}$	$V_{in}=37\text{dB}\mu$, Mute SW: ON	—	35	—	dB
	Total Harmonic Distortion	$T.H.D.(1)$	$V_{in}=74\text{dB}\mu$	—	0.3	2.0	%
	Total Harmonic Distortion	$T.H.D.(2)$	$V_{in}=100\text{dB}\mu$	—	0.7	3.5	%
	Signal-to-Noise Ratio	S/N	$V_{in}=74\text{dB}\mu$	45	55	—	dB
	Maximum Sensitivity	S_{IF}	the value of input to make $V_{O:AF}=10\text{mV}$	—	29	—	$\text{dB}\mu$
	Signal Meter Output Voltage	V_M	$V_{in}=100\text{dB}\mu$	1.2	1.4	1.6	V
	Audio Output Voltage	$V_{O:AF}$	$V_{in}=74\text{dB}\mu$	45	65	85	mV
	Input Impedance at 16 pin	Z_{in16}	DC measurement	1.45	2.12	2.8	$\text{k}\Omega$

■ TEST CIRCUIT



INPUT AND OUTPUT CIRCUIT OF EACH PIN



EXTERNAL COMPONENTS

1. Resistor

Part No.	Recommended Value	Function	Influence		Note
			Less than Recommended Value	More than Recommended Value	
R101	75Ω	SG Impedance Matching	—	—	Only for test circuit
R102	270Ω	Input Impedance Matching	—	—	Only for test circuit
R103	330Ω	Impedance Matching to Intermediate Frequency Filter	—	—	—
R104	10kΩ	IF Amp. DC Feedback	Offset of Defferential Voltage: High	Offset of Defferential Voltage: High	—
R105	22kΩ	Load Resistor for FM Detective Output	Detective Output: Low	Detective Output: High	Only for test circuit
R106	5.1kΩ	Load Resistor for AFC Voltage	AFC Voltage: Low	AFC Voltage: High	—
R107	6.8kΩ	Meter Operating Current Limiting	Meter Swing: Large	Meter Swing Small	Decided by the Meter Rating
R108	22kΩ	Load Resistor for AM Detective Output	Detective Output: Low	—	Only for test circuit
R109	2.2kΩ	L. P. F. Forming (With C115)	Carrier Leak: Large	Frequency Characteristics of Detective Output: Deteriorate	—
R110	1kΩ	Mute-ON-Current Limiting	IC Breakdown	Mute Attenuation: Deteriorate	—
R112	10Ω	Decoupling (With C104)	Unstabilizing	Voltage-Abating Characteristics: Deteriorate	—

2. Condensor

Part No.	Recommended Value	Functions	Influence		Note
			Less than the Recommended Value	More than the Recommended Value	
C ₁₀₁	0.01 μ	Input DC Cut	Deterioration of Sensitivity	—	—
C ₁₀₂	0.022 μ	Input Decoupling	Unstabilizing	—	—
C ₁₀₃	0.022 μ	Input Decoupling	Unstabilizing	—	—
C ₁₀₄	0.047 μ	FM V _{cc} Supply Decoupling	Unstabilizing	—	—
C ₁₀₅	0.01 μ	Detector Decoupling	Unstabilizing	—	—
C ₁₀₆	0.047 μ	Power Supply Decoupling	Unstabilizing	—	—
C ₁₀₇	47 μ	Power Supply Decoupling	Superposing of Low Frequency Signal	—	—
C ₁₀₈	0.01 μ	De-emphasis (With 9pin Output Impedance)	Deterioration of De-emphasis Characteristics	Deterioration of De-emphasis Characteristics	C ₁₀₈ = 100 pF, for Stereo Use
C ₁₀₉	4.7 μ	FM Output DC Cut	Separation Deteriorating in Low Frequency Range	—	—
C ₁₁₀	1 μ	AFC Output Decoupling	Low Frequency Signal Superposing on AFC Controlling Line	Long time is required for AFC operation to start	—
C ₁₁₁	0.022 μ	Voltage Regulator Decoupling	Unstabilizing	—	—
C ₁₁₂	100 μ	FM \leftrightarrow AM Crosstalk Decreasing	Large Crosstalk	—	—
C ₁₁₃	33 μ	AGC Decoupling	THD Deterioration at AM Low Frequency Range	Long time is required for AGC operation to start	—
C ₁₁₄	1 μ	AM Output DC Cut	Deterioration of Frequency Characteristic in Low Frequency Range	—	—
C ₁₁₅	0.01 μ	LPF Forming (With R 109)	Large Carrier Leak	Deterioration of Frequency Characteristic of Recovered Audio Voltage	—
C ₁₁₆	0.01 μ	AM Detecting		—	Use Polyester Film Capacitor
C ₁₁₇	0.01 μ	AM Input DC Cut	Deterioration of Sensitivity	—	—
C ₁₁₈	0.022 μ	Input Decoupling	Unstabilizing	—	—

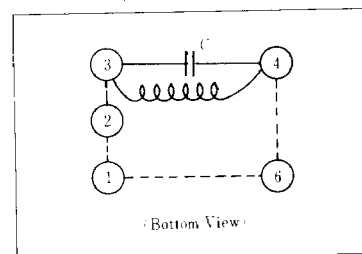
3. Semiconductor

- * Q₁₀₁ : 2SA1029 (Transistor for Muting)
 - * Q₁₀₂ : 2SC458 $\text{\textcircled{B}}$ (Transistor for Signal Meter Drive)
- Note) V_{BE} at Q₁₀₂ 2SC458 $\text{\textcircled{B}}$ (When 100 μ A emitter current supplied):
606 mV typ.

4. Coil/Filter

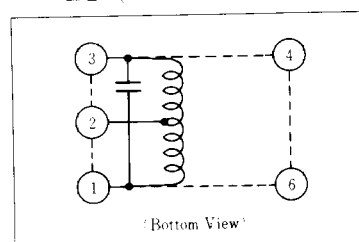
- 1) Ceramic Filter Murata SFE 10.7MA
- 2) Coil

L2 (FM Det Coil) Mitsumi No.MB-90438



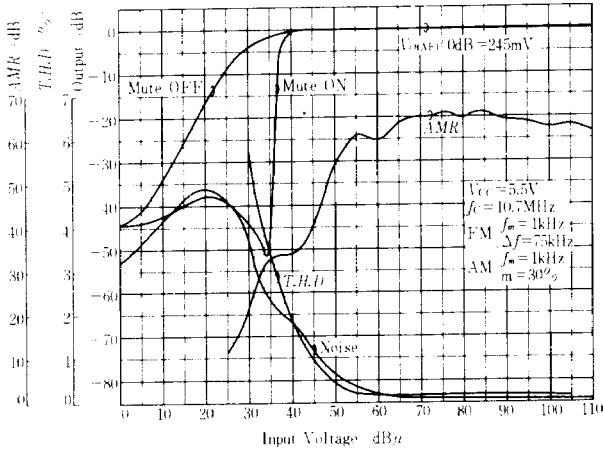
Number of : 14.5T
Turns
C: 100pF
Qu: 60 typ

L2 (AM IFT Coil) Mitsumi No.MB-90439

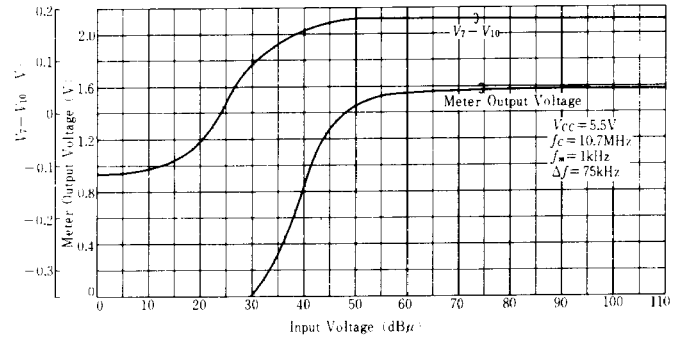


Number of: ①-②: 52T
Turns ②-③: 94T
C: 180pF
Qu: 125 typ

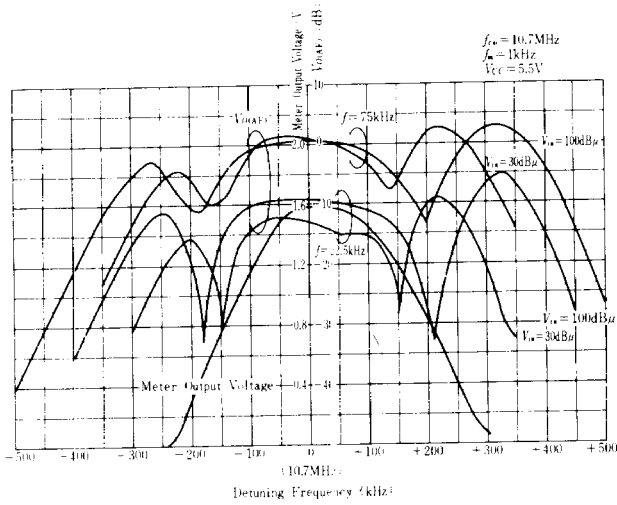
FM CHARACTERISTICS (1)



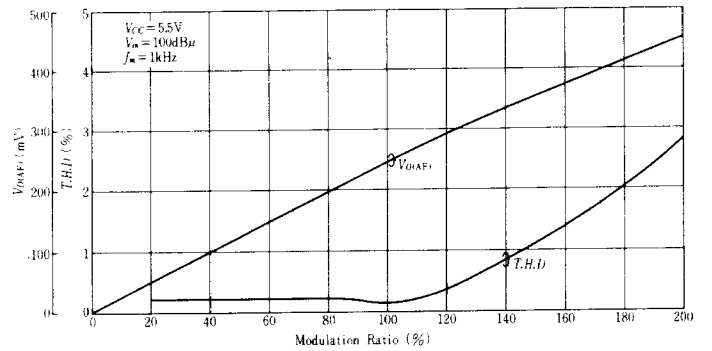
FM CHARACTERISTICS (2)



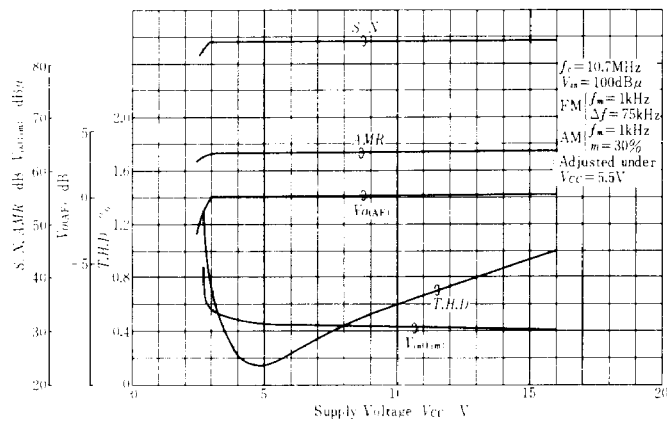
FM CHARACTERISTICS (3)



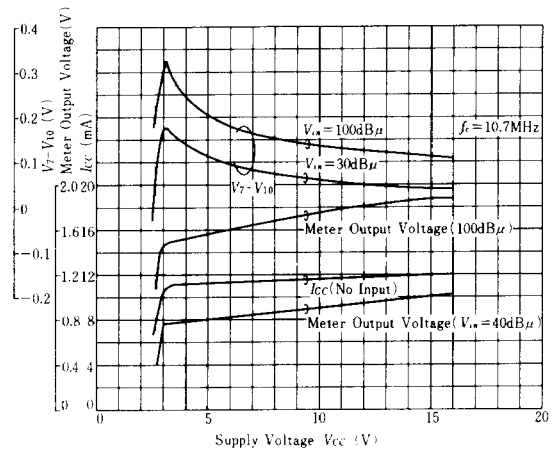
FM CHARACTERISTICS (4)



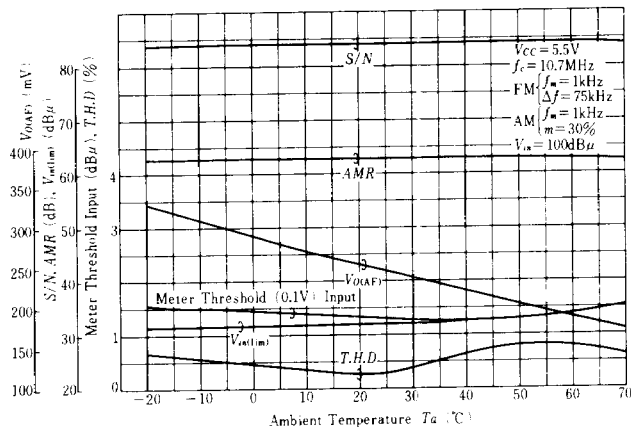
FM CHARACTERISTICS (5)



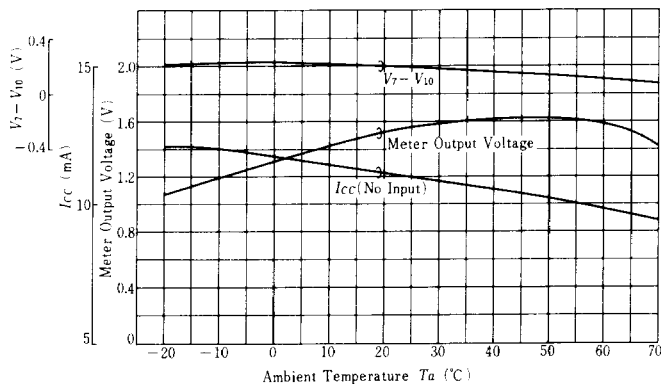
FM CHARACTERISTICS (6)



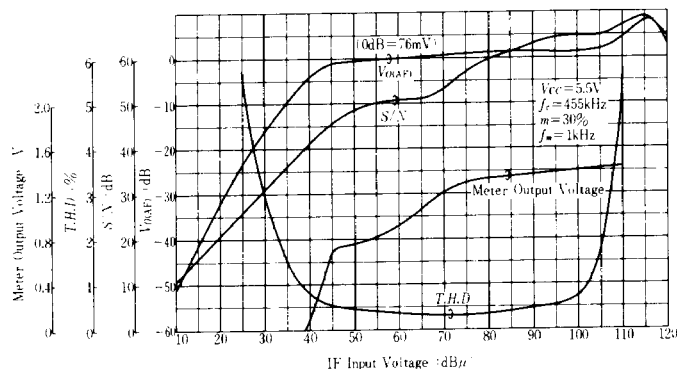
FM CHARACTERISTICS (7)



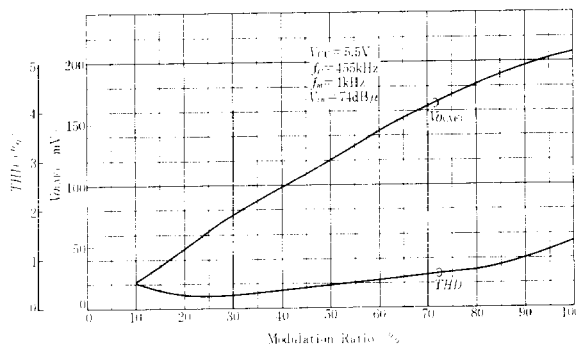
FM CHARACTERISTICS (8)



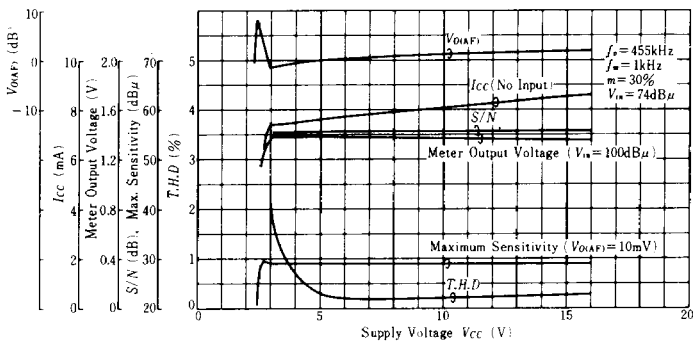
AM CHARACTERISTICS (1)



AM CHARACTERISTICS (2)



AM CHARACTERISTICS (3)



AM CHARACTERISTICS (4)

